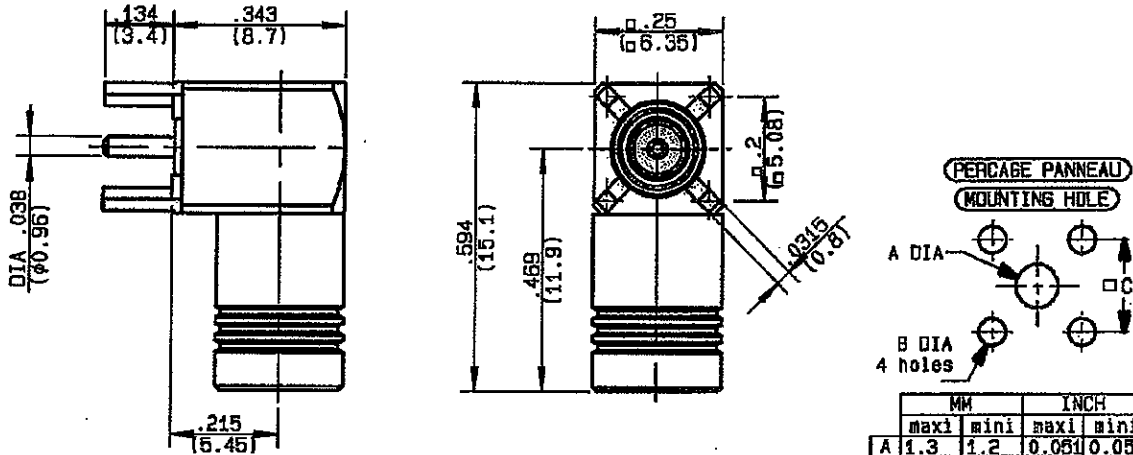


FEMALE RECEPTACLE RIGHT ANGLE
FOR PCB



CABLES : -

CHARACTERISTICS

NOMINAL IMPEDANCE	50	Ω
FREQUENCY RANGE	0-4	GHz
TEMPERATURE RATING	-65/+165	$^{\circ}$ C
VSWR	NA +	- x F(GHz)Max1
RF INSERTION LOSS	NA	\sqrt{F} (GHz) dB Max1
VOLTAGE RATING	1000	Vrms Max
DIELECTRIC WITHSTANDING VOLTAGE	335	Vrms min
INSULATION RESISTANCE	1000	M Ω min
HERMETIC SEAL	-	cc/s
	NA	Atm.cm3/s
LEAKAGE (pressurized only)	-	psi
	NA	MPa
WEIGHT	0	Oz
	-	g

STANDARDISATION

CABLE RETENTION	0	lb min
	NA	N
CENTER CONTACT RETENTION		
Axial force - mating end	2.25	1b min
	10	N
Axial force - opposite end	2.25	1b min
	10	N
Torque (Min)	0	Inch.oz
	NA	cm.N
RECOMMENDED TORQUES		
Mating	0	Inch.1b
	NA	cm.N
Panel nut	0	Inch.1b
	NA	cm.N
Clamp nut	0	Inch.1b
	NA	cm.N

CONSTRUCTION

CONNECTOR PARTS	MATERIALS	FINISH
BODY	BRASS	GOLD OVER NICKEL
OUTER CONTACT	BRONZE	GOLD OVER NICKEL
CENTER CONTACT	BERYLLIUM COPPER	GOLD OVER COPPER
INSULATOR	PTFE	-
-	-	-
-	-	-
-	-	-
-	-	-

ISSUE	REVISION No	DESCRIPTION	BY	DATE
-	-	-	-	-
-	-	-	-	-
-	-	-	-	-

Initiated on 22/02/94
Approval by FERRIN
The information given here is subject to change without notice. Design changes may be in order to improve the product.

