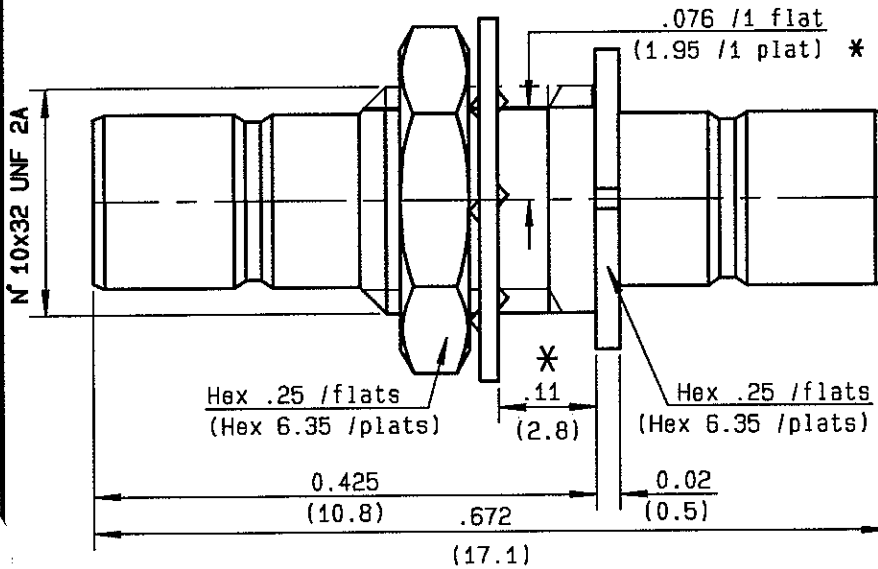


BULKEAD ADAPTOR MALE MALE

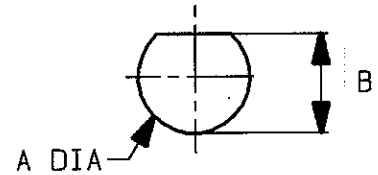
R114.720.030

SERIES

SMB



PERCAGE PANNEAU
MOUNTING HOLE



	MM		INCH	
	maxi	mini	maxi	mini
A	5	4.9	0.197	0.19
B	4.58	4.46	0.18	0.176

NOMINAL IMPEDANCE **50** Ω
 FREQUENCY RANGE **0-4** GHz
 TEMPERATURE RATING **-65/+165** °C
 V.S.W.R **1.08 + .02 x F(GHz)Maxi**
 RF INSERTION LOSS **0.03 \sqrt{F} (GHz) dB Maxi**
 VOLTAGE RATING **335** Veff Maxi
 DIELECTRIC WITHSTANDING VOLTAGE **1000** Veff Mini
 INSULATION RESISTANCE **1000** M Ω Mini
 HERMETIC SEAL **NA** Atm.cm³/s
 LEAKAGE (pressurized only) **NA**
 MECHANICAL DURABILITY Cycles
 WEIGHT gr
 SPECIFICATION **205033314000A**

CABLES :

OTHERS CHARACTERISTICS

CABLE RETENTION **NA** N Mini
 CENTER CONTACT RETENTION
 Axial force - mating end **20** N Mini
 Axial force - opposite end **20** N Mini
 Torque **NA** cm.N Mini
 RECOMMENDED TORQUES
 Mating **NA** cm.N
 Panel nut **60** cm.N
 Clamp nut **NA** cm.N

CONNECTOR PARTS

MATERIALS

FINISH

(all values are given in micrometers)

BODY : BRASS
 OUTER CONTACT : BRASS
 CENTER CONTACT : BRASS
 INSULATOR : PTFE
 GASKET : -
 OTHERS PIECES : BRASS

GOLD 0.6 OVER NICKEL 2
 GOLD 2.5 OVER COPPER 2.5
 -
 -

Y. PERRIN

ISSUE

CREATION DATE

FILE PART-NUMBER

9648A01

17-FEB-94

93-0624-007



RADIALL®

The information given here is subject to change without notice. Design changes may be in order to improve the product.

Connect to the future