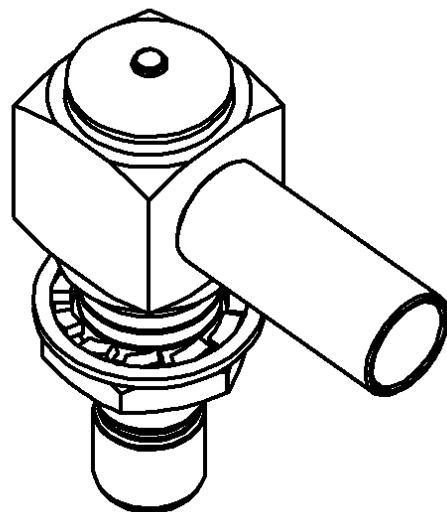
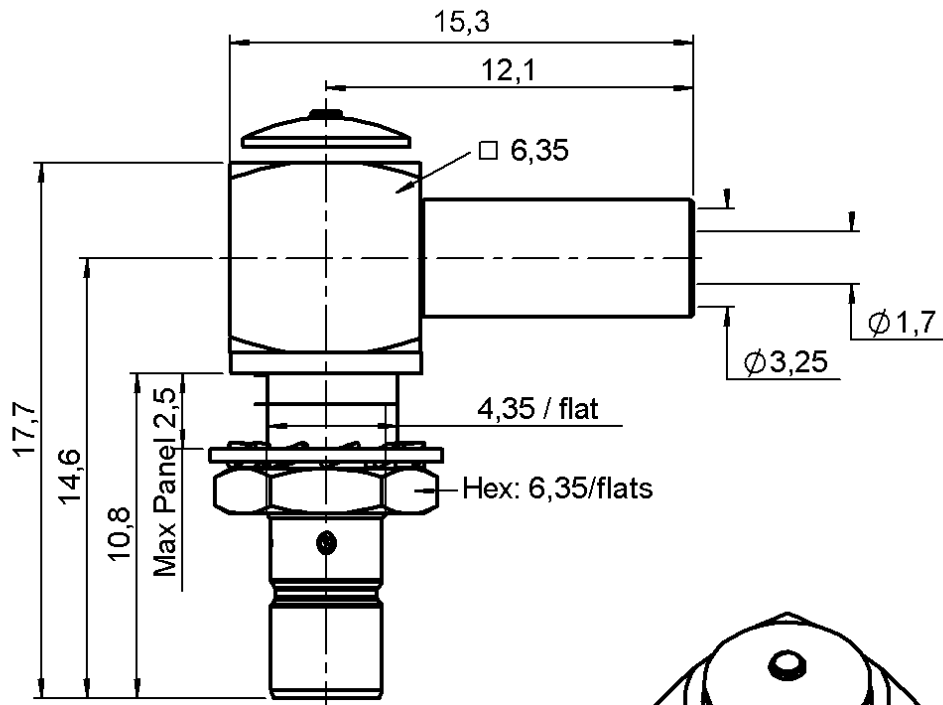


**RIGHT ANGLE BULKEAD JACK CRIMP TYPE**

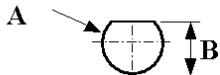
**R114.373.020**

**REAR MOUNT - CABLE 2.6/50 S**

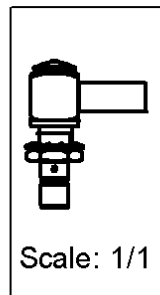
Series : SMB



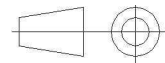
**PANEL CUT OUT**



mm		
	Maxi	mini
A	5	4.9
B	4.55	4.45



All dimensions are in mm.



COMPONENTS	MATERIALS	PLATINGS (µm)
BODY	BRASS	NICKEL 2
CENTER CONTACT	BRASS	GOLD 1.3 OVER NICKEL 2
OUTER CONTACT	-	-
INSULATOR	PTFE	-
GASKET	-	-
OTHERS PARTS	BRASS	NICKEL 2
-	-	-
-	-	-

Issue : 1119 C

In the effort to improve our products, we reserve the right to make changes judged to be necessary.



**RIGHT ANGLE BULKEAD JACK CRIMP TYPE**

**R114.373.020**

**REAR MOUNT - CABLE 2.6/50 S**

Series : **SMB**

**PACKAGING**

Standard	Unit	Other
<b>1</b>	-	<b>Contact us</b>

**SPECIFICATION**

**ELECTRICAL CHARACTERISTICS**

Impedance	<b>50</b>	$\Omega$
Frequency	<b>0-4</b>	GHz
VSWR	<b>1.35 + 0,0400</b>	x F(GHz) Maxi
Insertion loss	<b>0.50</b>	$\sqrt{F}$ (GHz) dB Maxi
RF leakage	- ( <b>57</b> )	- F(GHz)) dB Maxi
Voltage rating	<b>335</b>	Veff Maxi
Dielectric withstanding voltage	<b>1000</b>	Veff mini
Insulation resistance	<b>1000</b>	M $\Omega$ mini

**CABLE ASSEMBLY**

Stripping	a	b	c	d	e	f
mm	1,50	5,40	9,60	0,00	8,10	0,00

Assembly instruction : **Crimp 05**

Recommended cable(s)  
 KX 22A  
 RG 188  
 RG 316

Cable retention  
 - pull off **110** N mini  
 - torque **NA** N.cm

**MECHANICAL CHARACTERISTICS**

Center contact retention	
Axial force – Mating end	<b>10</b> N mini
Axial force – Opposite end	<b>10</b> N mini
Torque	<b>NA</b> N.cm mini

**TOOLING**

Part Number	Description	Hexagon
.	.	.
R282.211.000	CRIMPING TOOL	3.25
R282.235.003	CRIMPING DIES M22520/5-03	3.25
R282.293.000	CRIMPING TOOL M22520/5-01	-

Recommended torque	
Mating	<b>NA</b> N.cm
Panel nut	<b>60</b> N.cm
Clamp nut	<b>NA</b> N.cm
A/F clamp nut	<b>0,0000</b> mm

Mating life	<b>500</b> Cycles mini
Weight	<b>3,3100</b> g

**OTHERS CHARACTERISTICS**

-

**ENVIRONMENTAL**

Operating temperature	<b>-65/+165</b> °C
Hermetic seal	<b>NA</b> Atm.cm3/s
Panel leakage	<b>NA</b>

Issue : **1119 C**

In the effort to improve our products, we reserve the right to make changes judged to be necessary.



**RADIALL**®