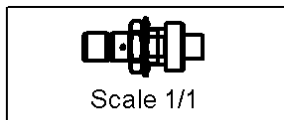
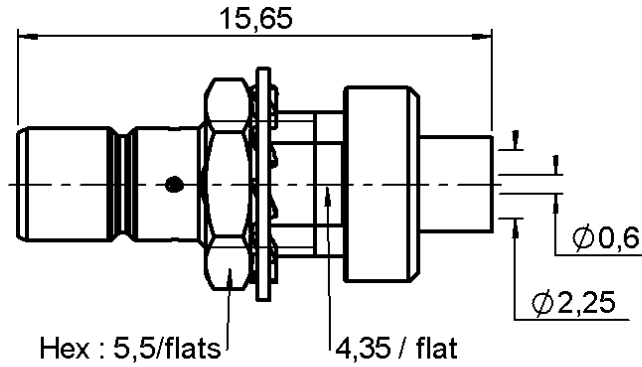


STRAIGHT BULKHEAD JACK SOLDER TYPE

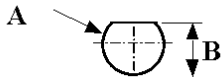
R114.222.000

REAR MOUNT - CABLE .085

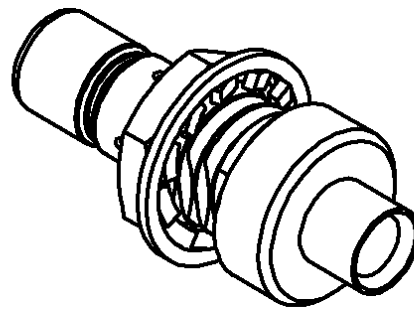
Series : SMB



PANEL CUT OUT



mm		
	Maxi	mini
A	5	4.9
B	4.55	4.45



All dimensions are in mm.

COMPONENTS	MATERIALS	PLATINGS (µm)
BODY	BRASS	GOLD 0.2 OVER NICKEL 2
CENTER CONTACT	BRASS	GOLD 1.3 OVER NICKEL 2
OUTER CONTACT	-	-
INSULATOR	PTFE	-
GASKET	-	-
OTHERS PARTS	BRASS	GOLD 0.2 OVER NICKEL 2
-	-	-
-	-	-

Issue : 0216 E

In the effort to improve our products, we reserve the right to make changes judged to be necessary.



STRAIGHT BULKHEAD JACK SOLDER TYPE

R114.222.000

REAR MOUNT - CABLE .085

Series : SMB

PACKAGING

Standard	Unit	Other
100	'W' option	Contact us

SPECIFICATION

ELECTRICAL CHARACTERISTICS

Impedance		50 Ω
Frequency		0-4 GHz
VSWR	1.10 +	0.025 x F(GHz) Maxi
Insertion loss		0.25 √F(GHz) dB Maxi
RF leakage	- (57 - F(GHz)) dB mini
Voltage rating		335 Veff Maxi
Dielectric withstanding voltage		750 Veff mini
Insulation resistance		1000 MΩ mini

CABLE ASSEMBLY

Stripping	a	b	c	d	e	f
mm	5.00	3.00	0.00	0.00	0.00	0.00

Assembly instruction :

Recommended cable(s)
RG 405
KS 1

Cable retention

- pull off **155** N mini
- torque **NA** N.cm

MECHANICAL CHARACTERISTICS

Center contact retention		
Axial force – Mating end		10 N mini
Axial force – Opposite end		10 N mini
Torque		NA N.cm mini

TOOLING

Part Number	Description	Hexagon
.	.	.

Recommended torque

Mating	NA N.cm
Panel nut	60 N.cm
Clamp nut	NA N.cm
A/F clamp nut	0.000 mm

Mating life	500 Cycles mini
Weight	1.590 g

OTHERS CHARACTERISTICS

ENVIRONMENTAL

Operating temperature	-65/+105 °C
Hermetic seal	NA Atm.cm3/s
Panel leakage	NA

Issue : 0216 E

In the effort to improve our products, we reserve the right to make changes judged to be necessary.



STRAIGHT BULKHEAD JACK SOLDER TYPE

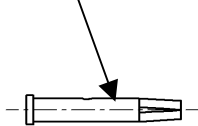
R114.222.000

REAR MOUNT - CABLE .085

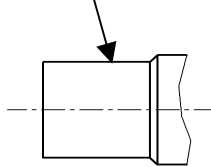
Series : SMB

COMPONENTS

CENTER CONTACT



BODY



STRIPPING DIMENSIONS



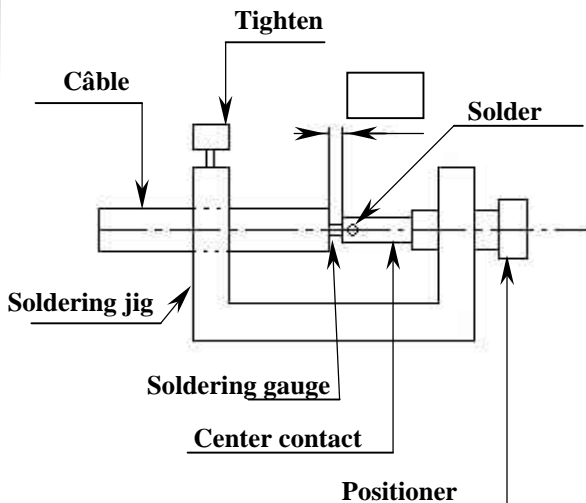
1

-Strip off the outer conductor and the dielectric



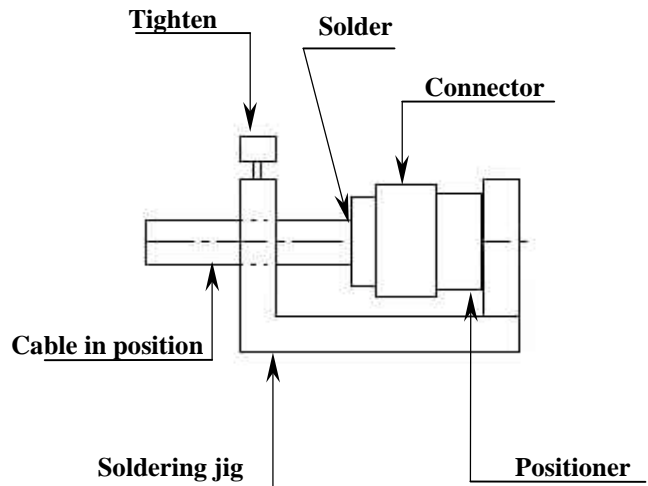
2

Screw the positioner onto the soldering jig.
Slide center contact into positioner.
Insert solder gauge between contact and cable .
Tighten and solder the contact.



3

After cooling remove cable assembly from the jig.
Slide body into positioner .
Slide cable into the connector until it bottoms against the positioner .
Tighten.
Solder the body onto the cable.
After cooling remove cable assembly from the jig.



Issue : 0216 E

In the effort to improve our products, we reserve the right to make changes judged to be necessary.

