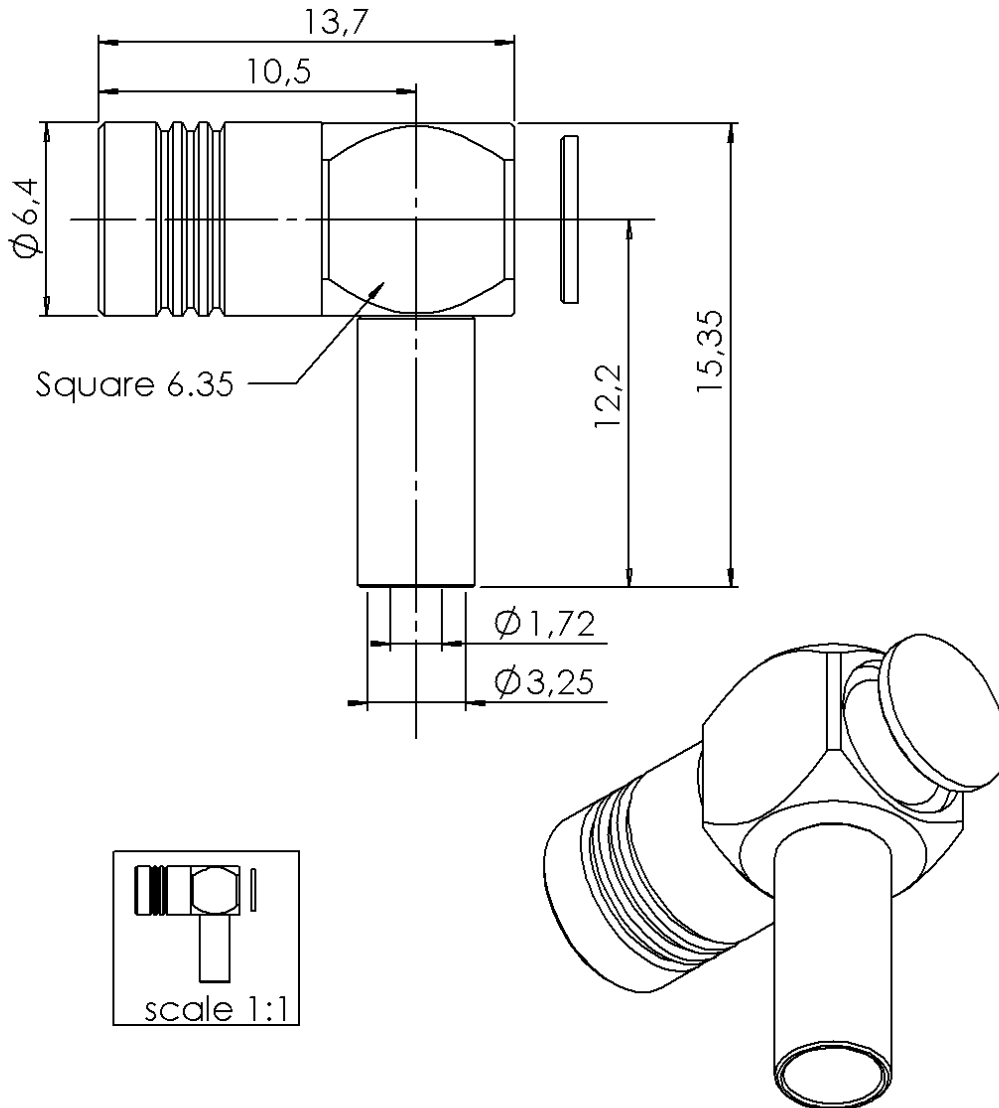


**NON MAGNETIC RIGHT ANGLE PLUG SOLDER**

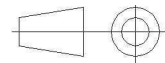
**R114.186.107**

**CABLE 2.6/50+75S**

Series : SMB



All dimensions are in mm.



COMPONENTS	MATERIALS	PLATING (µm)
BODY	NON MAGNETIC BRONZE	BBR 2
CENTER CONTACT	BERYLLIUM COPPER	GOLD 1.3 OVER COPPER 2.5
OUTER CONTACT	BERYLLIUM COPPER	BBR 2
INSULATOR	PTFE	
GASKET	-	
OTHERS PARTS	NON MAGNETIC BRONZE	BBR 2
-	-	-
-	-	-

Issue : 1012 A

In the effort to improve our products, we reserve the right to make changes judged to be necessary.



**NON MAGNETIC RIGHT ANGLE PLUG SOLDER**

**R114.186.107**

**CABLE 2.6/50+75S**

Series : **SMB**

**PACKAGING**

Standard	Unit	Other
<b>100</b>	<b>'W' option</b>	<b>Contact us</b>

**SPECIFICATION**

**ELECTRICAL CHARACTERISTICS**

Impedance	<b>50</b>	$\Omega$
Frequency	<b>0-4</b>	GHz
VSWR	<b>1.05 + 0,0100</b>	x F(GHz) Maxi
Insertion loss	<b>0.5</b>	$\sqrt{F}$ (GHz) dB Maxi
RF leakage	- ( <b>57</b> )	- F(GHz)) dB Maxi
Voltage rating	<b>335</b>	Veff Maxi
Dielectric withstanding voltage	<b>1000</b>	Veff mini
Insulation resistance	<b>1000</b>	M $\Omega$ mini

**CABLE ASSEMBLY**

Stripping	a	b	c	d	e	f
mm	1,50	5,40	9,60	0,00	8,10	0,00

Assembly instruction : **Crimp 05**

Recommended cable(s)  
NON MAGNETIC CABLE  
RG 179 AMAG  
RG 316 AMAG

Characteristics indicated on this data sheet are those that can be achieved with the highest performance cable. Intrinsic limitations of the cable may diminish the performance of the assembly

Cable retention

- pull off **110** N mini  
- torque **NA** N.cm

**MECHANICAL CHARACTERISTICS**

Center contact retention		
Axial force – Mating end	<b>10</b>	N mini
Axial force – Opposite end	<b>10</b>	N mini
Torque	<b>NA</b>	N.cm mini

Recommended torque		
Mating	<b>NA</b>	N.cm
Panel nut	<b>NA</b>	N.cm
Clamp nut	<b>NA</b>	N.cm
A/F clamp nut	<b>0,0000</b>	mm

Mating life	<b>500</b>	Cycles mini
Weight	<b>3,1200</b>	g

**TOOLING**

Part Number	Description	Hexagon
R282.293.000	CRIMPING TOOL M22520/5-01	
R282.235.003	CRIMPING DIES M22520/5-03	3.25
R282.211.000	CRIMPING TOOL	3.25

**ENVIRONMENTAL**

Operating temperature	<b>-65/+165</b>	$^{\circ}$ C
Hermetic seal	<b>NA</b>	Atm.cm3/s
Panel leakage	<b>NA</b>	

**OTHER CHARACTERISTICS**

Distorsion of the magnetic field  
<0.5 ppm at 10mm at Bo=1.5 Tesla  
Non magnetic component

Issue : **1012** A

In the effort to improve our products, we reserve the right to make changes judged to be necessary.

