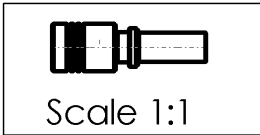
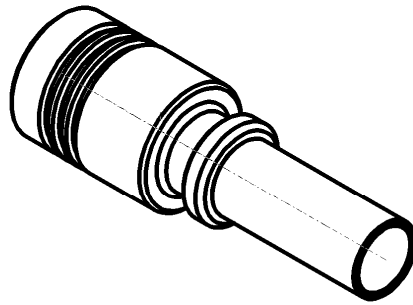
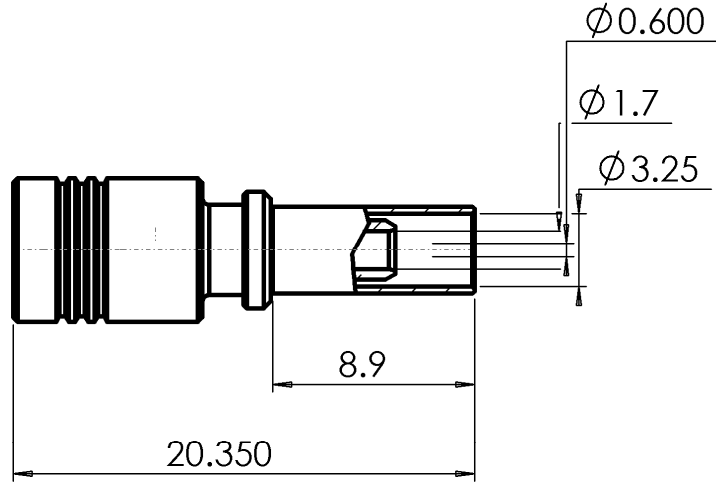


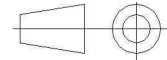
STRAIGHT PLUG CRIMP TYPE
CABLE 2.6/50+75 S NON MAGNETIC

R114.082.107

Series : SMB



All dimensions are in mm.



COMPONENTS	MATERIALS	PLATING (µm)
BODY	NON MAGNETIC BRONZE	BBR 2
CENTER CONTACT	BERYLLIUM COPPER	GOLD 1.3 OVER COPPER 2.5
OUTER CONTACT	BERYLLIUM COPPER	BBR 2
INSULATOR	PTFE	
GASKET	-	
OTHERS PARTS	NON MAGNETIC BRONZE	BBR 2
-	-	-
-	-	-

Issue : 1012 A

In the effort to improve our products, we reserve the right to make changes judged to be necessary.



STRAIGHT PLUG CRIMP TYPE
CABLE 2.6/50+75 S NON MAGNETIC

R114.082.107

Series : **SMB**

PACKAGING

Standard	Unit	Other
100	'W' option	Contact us

SPECIFICATION

CABLE ASSEMBLY

Stripping	a	b	c	d	e	f
mm	2,50	5,40	11,0	0,00	8,50	0,00

ELECTRICAL CHARACTERISTICS

Impedance		50	Ω
Frequency		0-4	GHz
VSWR	1.05 +	0,0800	x F(GHz) Maxi
Insertion loss		0.25	\sqrt{F} (GHz) dB Maxi
RF leakage	- (57	- F(GHz)) dB Maxi
Voltage rating		500	Veff Maxi
Dielectric withstanding voltage		1000	Veff mini
Insulation resistance		1000	M Ω mini

Assembly instruction : **Crimp 01**

Recommended cable(s)
NON MAGNETIC CABLE
RG 179 AMAG
RG 316 AMAG

MECHANICAL CHARACTERISTICS

Center contact retention			
Axial force – Mating end		10	N mini
Axial force – Opposite end		10	N mini
Torque		NA	N.cm mini

Characteristics indicated on this data sheet are those that can be achieved with the highest performance cable. Intrinsic limitations of the cable may diminish the performance of the assembly

Cable retention

- pull off	110	N mini
- torque	3.9	N.cm

TOOLING

Part Number	Description	Hexagon
.	.	.
R282.983.000	POSITONER FOR CRIMPING TOOL	
R282.293.000	CRIMPING TOOL M22520/5-01	
R282.281.000	CRIMPING TOOL	2x4(pos3->50 pos1->75)
R282.235.003	CRIMPING DIES M22520/5-03	3.25
R282.211.000	CRIMPING TOOL	3.25

Recommended torque			
Mating		NA	N.cm
Panel nut		NA	N.cm
Clamp nut		NA	N.cm
A/F clamp nut		0,0000	mm
Mating life		500	Cycles mini
Weight		2,1200	g

ENVIRONMENTAL

Operating temperature		-65/+165	$^{\circ}$ C
Hermetic seal		NA	Atm.cm3/s
Panel leakage		NA	

Issue : **1012 A**

In the effort to improve our products, we reserve the right to make changes judged to be necessary.

