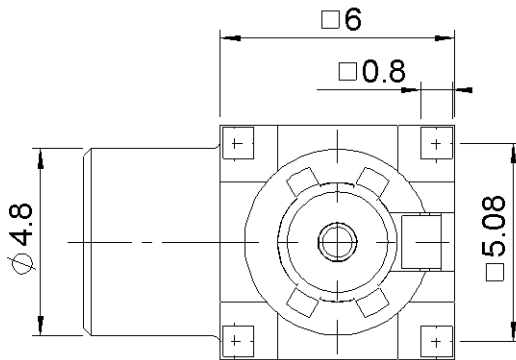
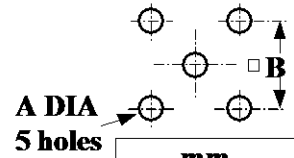


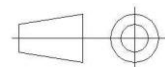
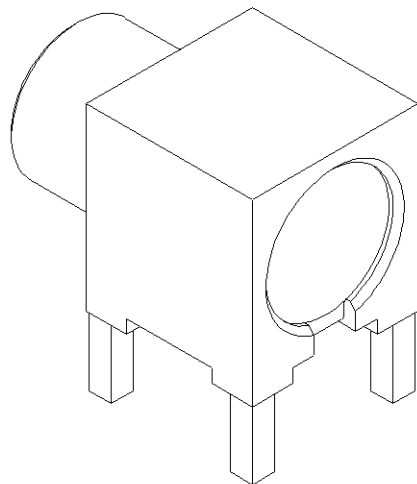
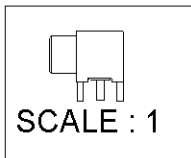
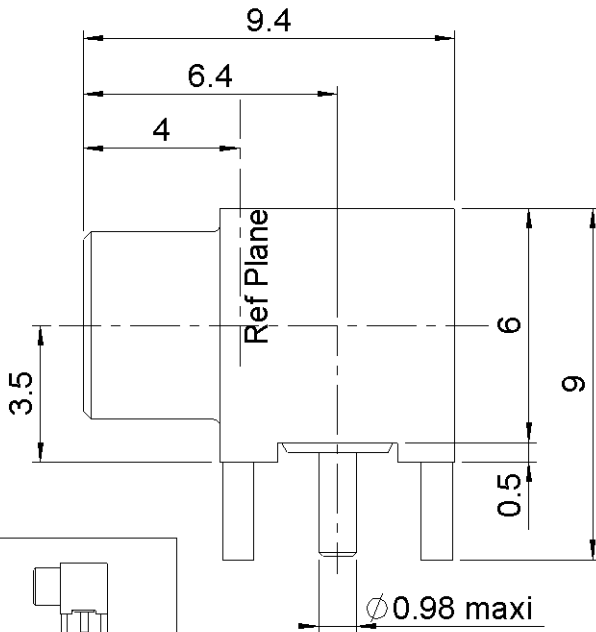
PAGE 1/2	ISSUE 1435B	SERIES MCX	PART NUMBER R113665147
----------	-------------	------------	------------------------



PANEL CUT OUT



	mm	
	Maxi	mini
A	1.4	1.3
B	5.13	5.03



All dimensions are in mm.

COMPONENTS	MATERIALS	PLATING (µm)
Body	BRASS	NPGR
Center contact	BERYLLIUM COPPER	NPGR
Outer contact	-	-
Insulator	PTFE	-
Gasket	-	-
Others parts	-	-
-	-	-
-	-	-

PAGE 2/2	ISSUE 1435B	SERIES MCX	PART NUMBER R113665147
----------	--------------------	-------------------	-------------------------------

PACKAGING

Standard	Unit	Other
100	Contact us	Contact us

ELECTRICAL CHARACTERISTICS

Impedance		50	Ω	
Frequency		0-3	GHz	
VSWR	1.1 +	0.0000	x F(GHz) Maxi	
Insertion loss		0.1	√F(GHz) dB Maxi	
RF leakage	- (-	- F(GHz)) dB Maxi	
Voltage rating		335	Veff Maxi	
Dielectric withstanding voltage		1000	Veff mini	
Insulation resistance		1000	MΩ mini	

MECHANICAL CHARACTERISTICS

Center contact retention				
Axial force – Mating End		10	N mini	
Axial force – Opposite end		10	N mini	
Torque		NA	N.cm mini	
Recommended torque				
Mating		NA	N.cm	
Panel nut		NA	N.cm	
Mating life		500	Cycles mini	
Weight		1.7800	g	

ENVIRONMENTAL

Operating temperature	-55/+155	°C
Hermetic seal	NA	Atm.cm3/s
Panel leakage	NA	

SPECIFICATION

OTHER CHARACTERISTICS

Assembly instruction:

Others:

-

