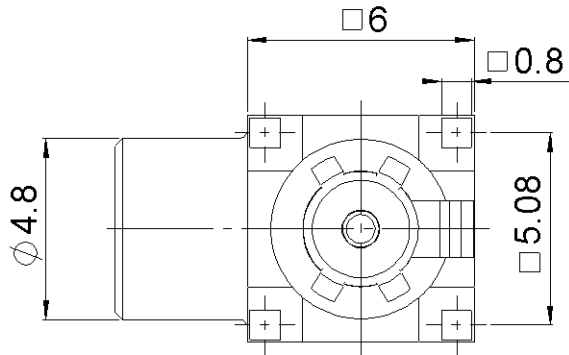
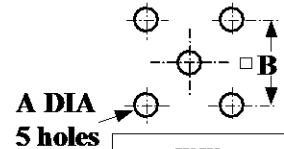


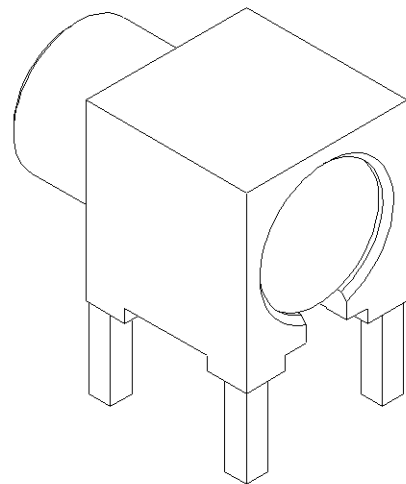
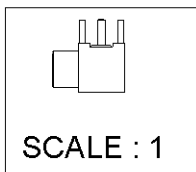
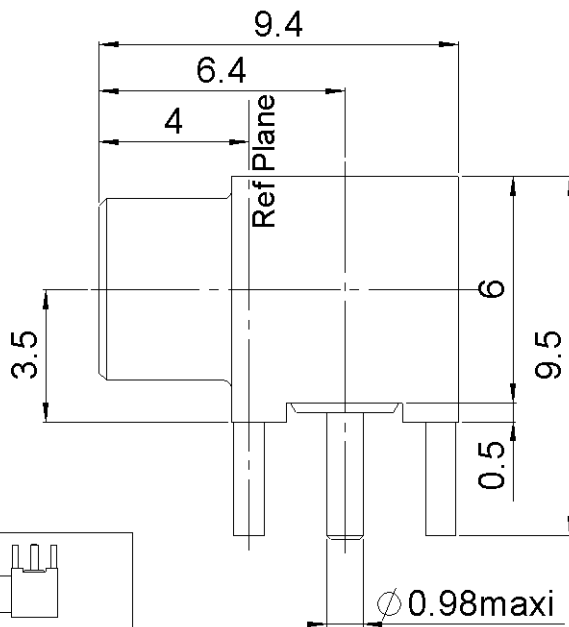
PAGE 1/2	ISSUE 1435D	SERIES MCX	PART NUMBER R113665137
----------	-------------	------------	------------------------



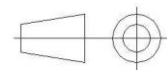
**PANEL CUT OUT**



mm		
	Maxi	mini
<b>A</b>	<b>1.4</b>	<b>1.3</b>
<b>B</b>	<b>5.13</b>	<b>5.03</b>



All dimensions are in mm.



COMPONENTS	MATERIALS	PLATING (µm)
Body	<b>BRASS</b>	<b>NPGR</b>
Center contact	<b>BERYLLIUM COPPER</b>	<b>NPGR</b>
Outer contact	-	-
Insulator	<b>PTFE</b>	-
Gasket	-	-
Others parts	<b>BRASS</b>	<b>BBR .</b>
-	-	-
-	-	-

PAGE 2/2	ISSUE <b>1435D</b>	SERIES <b>MCX</b>	<b>PART NUMBER R113665137</b>
----------	--------------------	-------------------	-------------------------------

**PACKAGING**

Standard	Unit	Other
<b>100</b>	<b>Contact us</b>	<b>Contact us</b>

**ELECTRICAL CHARACTERISTICS**

Impedance		<b>50</b>	Ω	
Frequency		<b>0-6</b>	GHz	
VSWR	<b>1.05</b> +	<b>0.0150</b>	x F(GHz) Maxi	
Insertion loss		<b>0.03</b>	√F(GHz) dB Maxi	
RF leakage	- (	<b>NA</b>	- F(GHz) dB Maxi	
Voltage rating		<b>335</b>	Veff Maxi	
Dielectric withstanding voltage		<b>1000</b>	Veff mini	
Insulation resistance		<b>1000</b>	MΩ mini	

**MECHANICAL CHARACTERISTICS**

Center contact retention				
Axial force – Mating End		<b>10</b>	N mini	
Axial force – Opposite end		<b>10</b>	N mini	
Torque		<b>NA</b>	N.cm mini	
Recommended torque				
Mating		<b>NA</b>	N.cm	
Panel nut		<b>NA</b>	N.cm	
Mating life		<b>500</b>	Cycles mini	
Weight		<b>1.9000</b>	g	

**ENVIRONMENTAL**

Operating temperature	<b>-55/+155</b>	°C
Hermetic seal	<b>NA</b>	Atm.cm3/s
Panel leakage	<b>NA</b>	

**SPECIFICATION**

**1301-RNT 403 130 / 5 Rev. L**

**OTHER CHARACTERISTICS**

Assembly instruction:

Others:

-