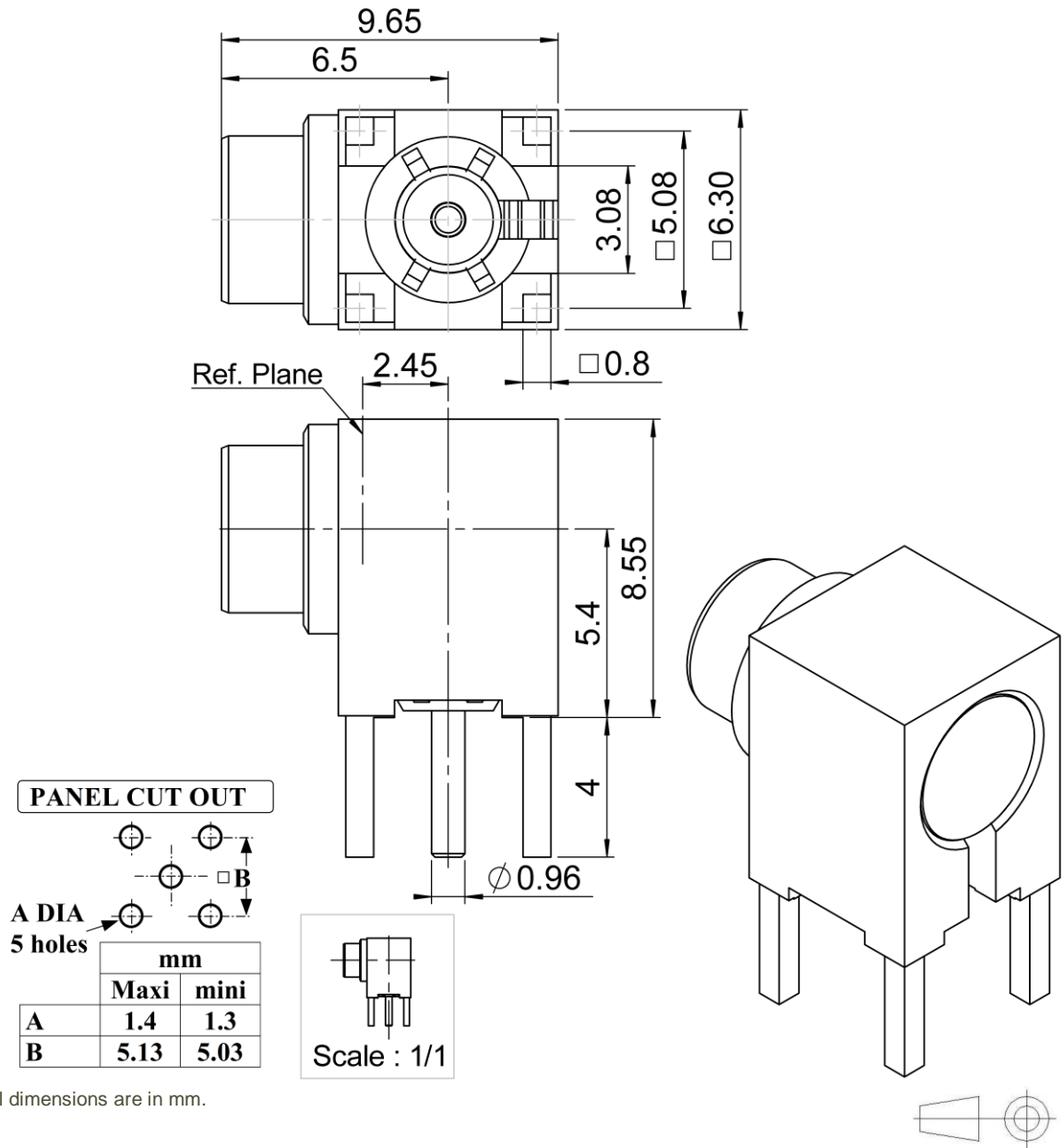


PAGE 1/2	ISSUE 30-06-15A	SERIES MCX	PART NUMBER R113665097
----------	-----------------	------------	------------------------



All dimensions are in mm.

COMPONENTS	MATERIALS	PLATING (μm)
Body	NON MAGNETIC BRONZE	GOLD OVER COPPER
Center contact	BERYLLIUM COPPER	GOLD OVER COPPER
Outer contact		
Insulator	PTFE	
Gasket		
Others parts		
-	-	-
-	-	-

PAGE 2/2	ISSUE 30-06-15A	SERIES MCX	PART NUMBER R113665097
----------	------------------------	-------------------	-------------------------------

PACKAGING

Standard	Unit	Other
100	Contact us	Contact us

ELECTRICAL CHARACTERISTICS

Impedance		50	Ω
Frequency		0-6	GHz
VSWR	**1.05	+	0.0500 x F(GHz) Maxi
Insertion loss		*0.05	√F(GHz) dB Maxi
RF leakage	- (NA	- F(GHz)) dB Maxi
Voltage rating		335	Veff Maxi
Dielectric withstanding voltage		1000	Veff mini
Insulation resistance		1000	MΩ mini

MECHANICAL CHARACTERISTICS

Center contact retention			
Axial force – Mating End		10	N mini
Axial force – Opposite end		10	N mini
Torque		NA	N.cm mini
Recommended torque			
Mating		NA	N.cm
Panel nut		NA	N.cm
Mating life		500	Cycles mini
Weight		2.7910	g

ENVIRONMENTAL

Operating temperature	-55/+125	°C
Hermetic seal	NA	Atm.cm3/s
Panel leakage	NA	

SPECIFICATION

OTHER CHARACTERISTICS

Assembly instruction:**NA**

Others:

*** Coaxial Transmission Line Only**
**** Performance strongly depends on lay out and pcb material**
Distortion of the magnetic field :
<= 0.5 ppm @ 10 mm @ Bo = 1.5 Tesla