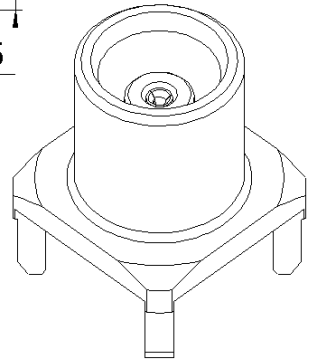
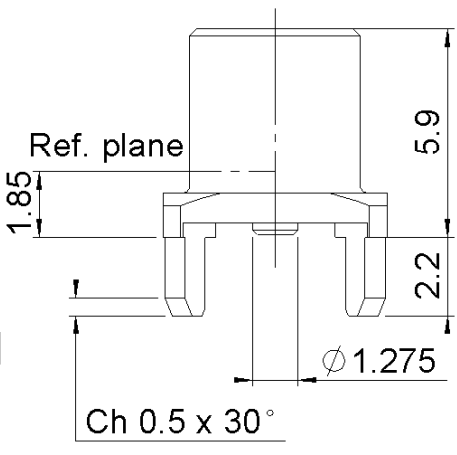
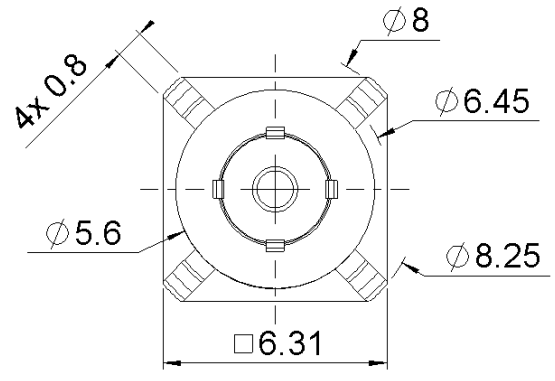
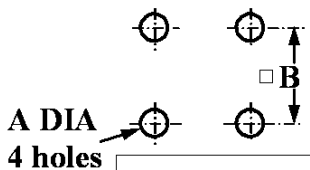


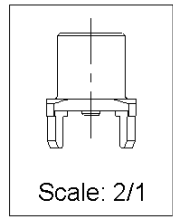
PAGE 1/5	ISSUE 1402B	SERIES MCX	PART NUMBER R113426880
----------	-------------	------------	------------------------



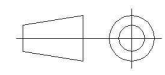
PANEL CUT OUT



	mm	
	Maxi	mini
A	1.4	1.3
B	5.13	5.03



All dimensions are in mm.



COMPONENTS	MATERIALS	PLATING (µm)
Body	BRASS	TIN OVER NICKEL
Center contact	BERYLLIUM COPPER	GOLD OVER NICKEL
Outer contact	-	-
Insulator	PTFE	-
Gasket	-	-
Others parts	-	-
-	-	-
-	-	-

PAGE 2/5	ISSUE 1402B	SERIES MCX	PART NUMBER R113426880
----------	--------------------	-------------------	-------------------------------

PACKAGING

Standard	Unit	Other
500	Contact us	Contact us

ELECTRICAL CHARACTERISTICS

Impedance		50	Ω
Frequency		0-6	GHz
VSWR	1.05 +	0.0500	x F(GHz) Maxi
Insertion loss		0.03*	√F(GHz) dB Maxi
RF leakage	- (NA	- F(GHz)) dB Maxi
Voltage rating		335	Veff Maxi
Dielectric withstanding voltage		1000	Veff mini
Insulation resistance		1000	MΩ mini

MECHANICAL CHARACTERISTICS

Center contact retention			
Axial force – Mating End		10	N mini
Axial force – Opposite end		10	N mini
Torque		NA	N.cm mini
Recommended torque			
Mating		NA	N.cm
Panel nut		NA	N.cm
Mating life		500	Cycles mini
Weight		0.6890	g

ENVIRONMENTAL

Operating temperature	-55/+155	°C
Hermetic seal	NA	Atm.cm3/s
Panel leakage	NA	

SPECIFICATION

OTHER CHARACTERISTICS

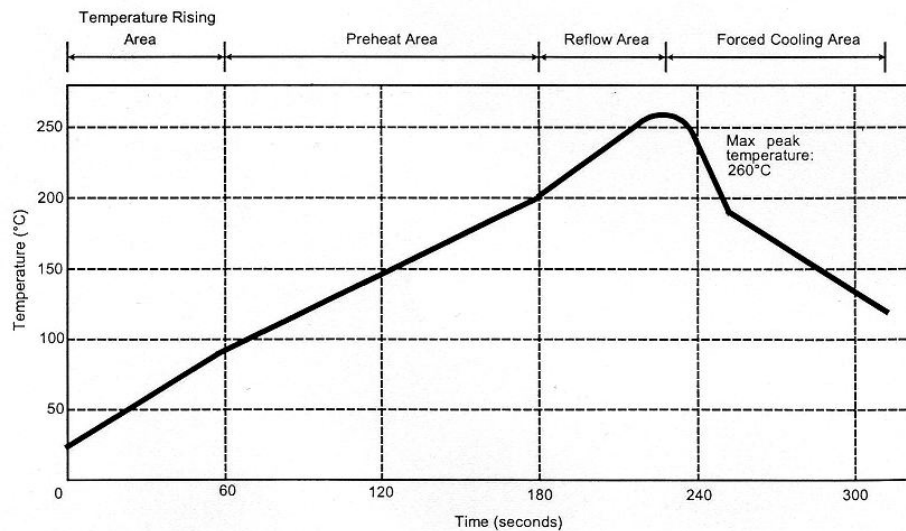
Assembly instruction:**NA**

Others:
*Coaxial Transmission Line Only

SOLDER PROCEDURE

1. Deposit solder paste 'Sn95 Ag4 Cu0.5' on mounting zone by screen printing application.
We recommend a low residue flux.
We advise a thickness of 150 micromm (5.850 microinch). Verify that the edges of the zone are clean.
2. Placement of the receptacle on the mounting zone with an automatic machine of 'pick and place' type.
A video camera is recommended for positioning of the component.
Adhesive agents must not be used on the receptacle.
3. This process of soldering has been tested with convection oven.
Below please find, the typical profile to use.
4. The cleaning of printed circuit boards is not obliged.
5. Verification of solder joints and position of the component by visual inspection.

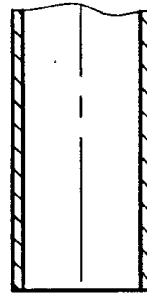
TEMPERATURE PROFIL



Parameter	Value	Unit
Temperature rising Area	1 - 4	°C/sec
Max Peak Temperature	260	°C
Max dwell time @260°C	10	sec
Min dwell time @235°C	20	sec
Max dwell time @235°C	60	sec
Temperature drop in cooling Area	-1 to - 4	°C/sec
Max dwell time above 100°C	420	sec

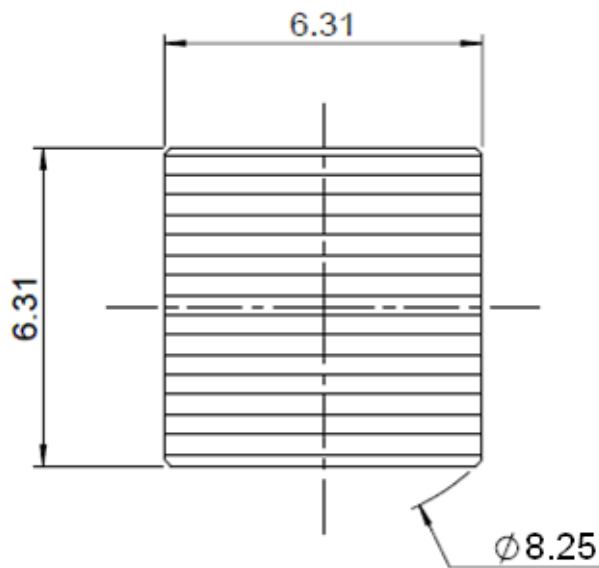
PAGE 4/5	ISSUE 1402B	SERIES MCX	PART NUMBER R113426880
----------	-------------	------------	------------------------

ASPIRATION PORT

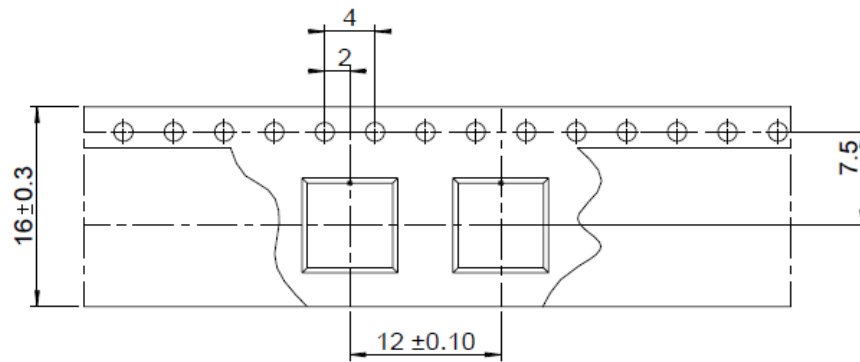
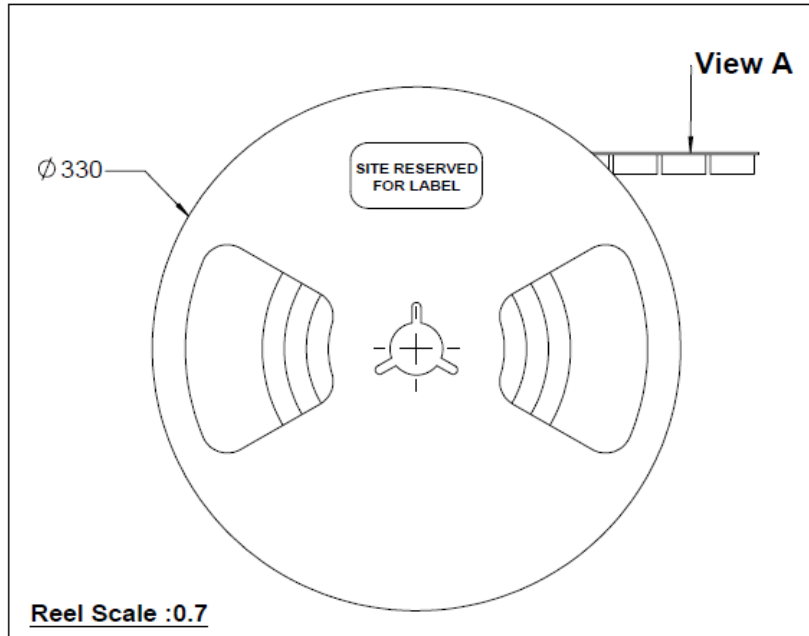


$\text{DIA } 0.112^{+0.002}_0$
 $(\varnothing 2.85^{+0.05}_0)$
 $\text{DIA } 0.132^{+0.0012}_0$
 $(\varnothing 3.35^{+0.03}_0)$

SHADOW OF MCX RECEPTACLE FOR VIDEO CAMERA



PAGE 5/5	ISSUE 1402B	SERIES MCX	PART NUMBER R113426880
----------	--------------------	-------------------	-------------------------------



View A (Scale : 2.5)