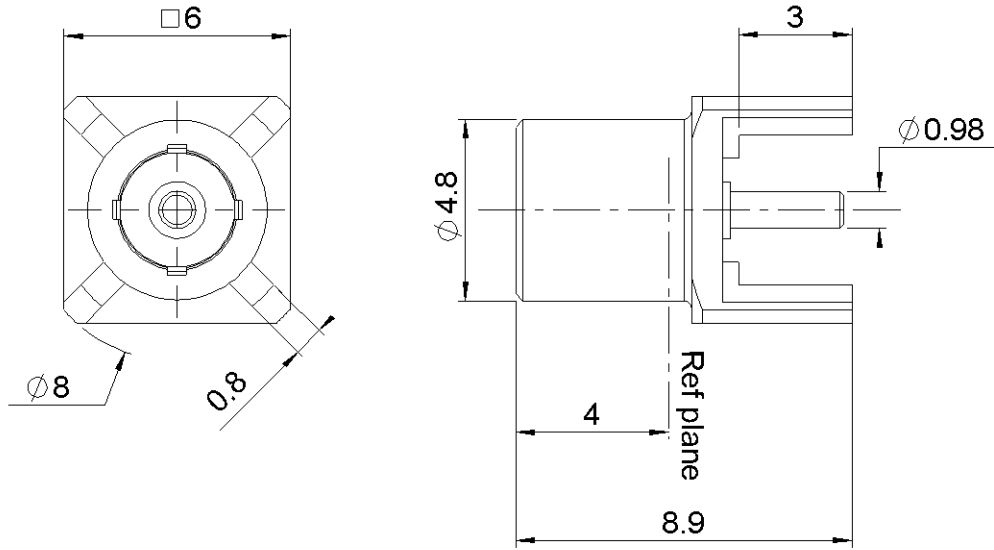
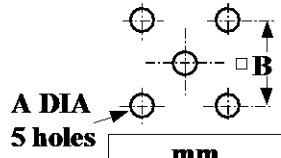


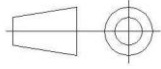
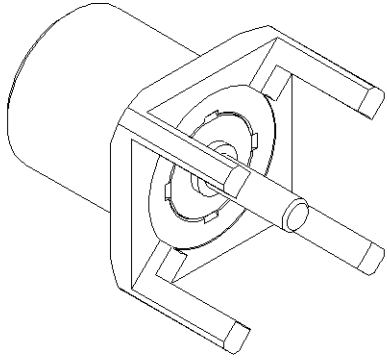
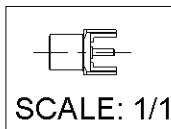
PAGE 1/2	ISSUE 03-12-15B	SERIES MCX	PART NUMBER R113426140
----------	------------------------	-------------------	-------------------------------



PANEL CUT OUT



	mm	
	Maxi	mini
A	1.4	1.3
B	5.13	5.03



All dimensions are in mm.

COMPONENTS	MATERIALS	PLATING (μm)
Body	BRASS	NPGR
Center contact	BERYLLIUM COPPER	GOLD OVER NICKEL
Outer contact	-	-
Insulator	PTFE	-
Gasket	-	-
Others parts	-	-
-	-	-
-	-	-

PAGE 2/2	ISSUE 03-12-15B	SERIES MCX	PART NUMBER R113426140
----------	------------------------	-------------------	-------------------------------

PACKAGING

Standard	Unit	Other
100	Contact us	Contact us

ELECTRICAL CHARACTERISTICS

Impedance		50	Ω	
Frequency		0-6	GHz	
VSWR	1.05	+	0.0500	x F(GHz) Maxi
Insertion loss			0.03	√F(GHz) dB Maxi
RF leakage	-	(NA	- F(GHz)) dB Maxi
Voltage rating			335	Veff Maxi
Dielectric withstanding voltage			1000	Veff mini
Insulation resistance			1000	MΩ mini

MECHANICAL CHARACTERISTICS

Center contact retention				
Axial force – Mating End		10	N mini	
Axial force – Opposite end		10	N mini	
Torque		NA	N.cm mini	
Recommended torque				
Mating		NA	N.cm	
Panel nut		NA	N.cm	
Mating life		500	Cycles mini	
Weight		0.7000	g	

ENVIRONMENTAL

Operating temperature	-55/+155	°C	
Hermetic seal	NA	Atm.cm3/s	
Panel leakage	NA		

SPECIFICATION

OTHER CHARACTERISTICS

Assembly instruction:

Others: