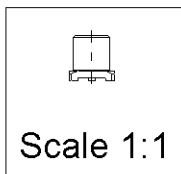
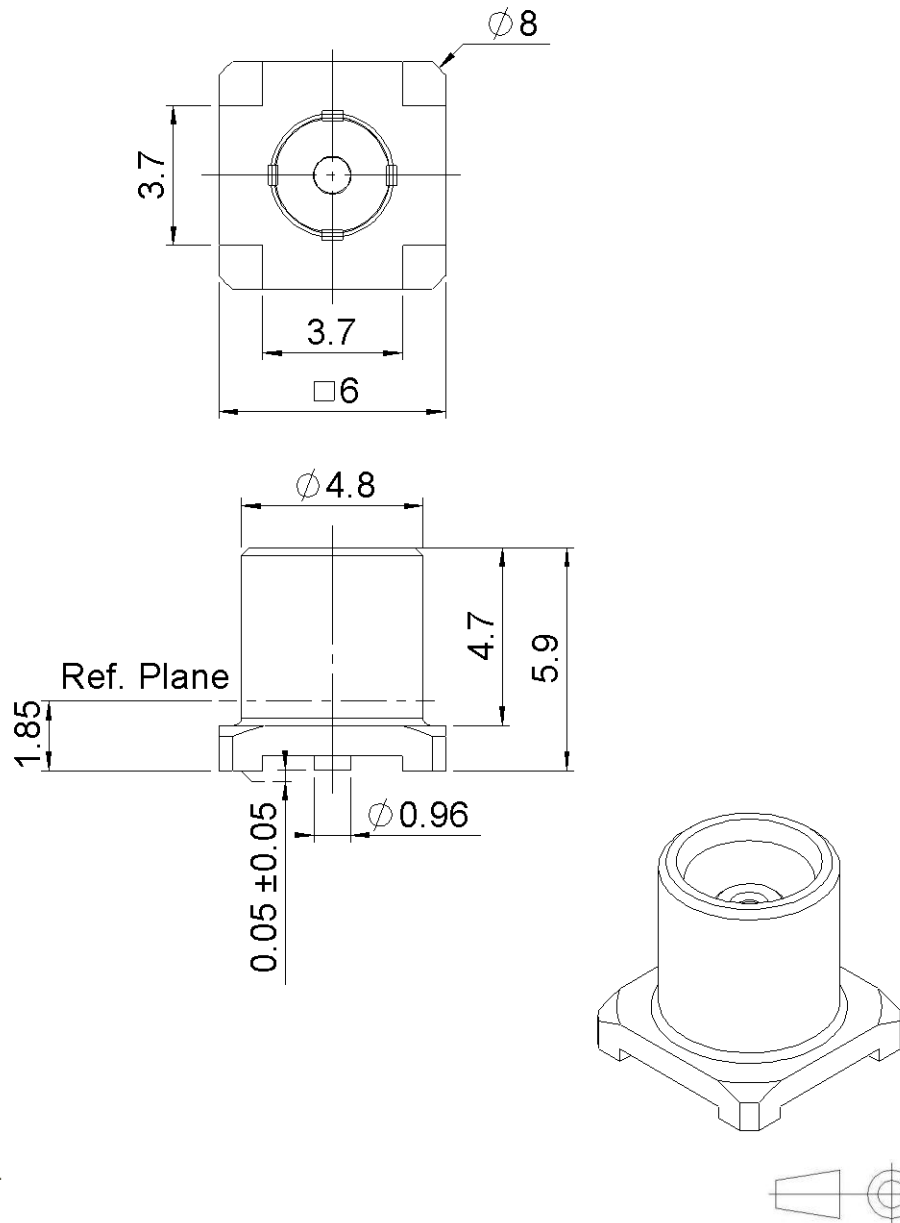


PAGE 1/4	ISSUE 30-06-15A	SERIES MCX	PART NUMBER R113424097
----------	-----------------	------------	------------------------



All dimensions are in mm.

COMPONENTS	MATERIALS	PLATING (μm)
Body	NON MAGNETIC BRONZE	GOLD OVER COPPER
Center contact	BERYLLIUM COPPER	GOLD OVER COPPER
Outer contact		
Insulator	PTFE	
Gasket		
Others parts		
-	-	-
-	-	-

PAGE 2/4	ISSUE 30-06-15A	SERIES MCX	PART NUMBER R113424097
----------	------------------------	-------------------	-------------------------------

PACKAGING

Standard	Unit	Other
100	Contact us	Contact us

ELECTRICAL CHARACTERISTICS

Impedance		50	Ω
Frequency		0-6	GHz
VSWR	**1.05	+	0.0300 x F(GHz) Maxi
Insertion loss		*0.05	√F(GHz) dB Maxi
RF leakage	- (NA	- F(GHz)) dB Maxi
Voltage rating		335	Veff Maxi
Dielectric withstanding voltage		1000	Veff mini
Insulation resistance		1000	MΩ mini

ENVIRONMENTAL

Operating temperature	-55/+125	°C
Hermetic seal	NA	Atm.cm3/s
Panel leakage	NA	

MECHANICAL CHARACTERISTICS

Center contact retention			
Axial force – Mating End		10	N mini
Axial force – Opposite end		10	N mini
Torque		NA	N.cm mini
Recommended torque			
Mating		NA	N.cm
Panel nut		NA	N.cm
Mating life		500	Cycles mini
Weight		0.6140	g

SPECIFICATION

OTHER CHARACTERISTICS

Assembly instruction:NA

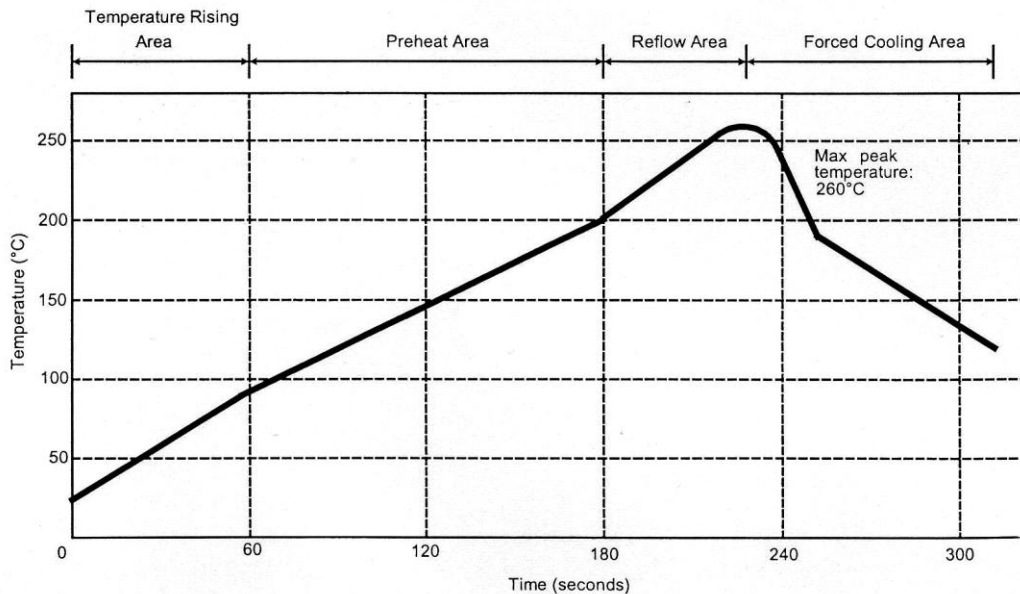
Others:

- * Coaxial Transmission Line Only**
- ** Performance strongly depends on lay out and PCB material**
- Distortion of the magnetic field :**
- <= 0.5 ppm @ 10 mm @ Bo = 1.5 Tesla**

SOLDER PROCEDURE

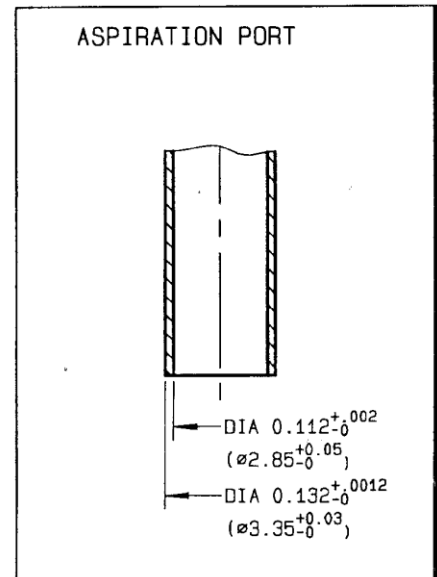
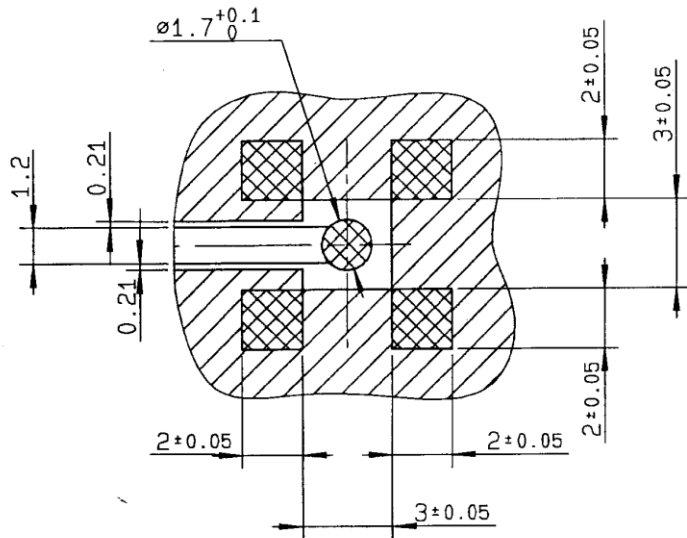
1. Deposit solder paste 'Sn Ag4 Cu0.5' on mounting zone by screen printing application. We recommend a low residue flux. We advise a thickness of 150 microms mini. (.006 inch mini). Verify that the edges of the zone are clean.
2. Placement of the receptacle on the mounting zone with an automatic machine of 'pick and place' type. Aspiration port (see page 4) centered into body and push against it. A video camera is recommended for positioning of the component. Adhesive agents must not be used on the receptacle.
3. Soldering by infra-red reflow. Below please find the typical profile to use.
4. Cleaning of printed circuit boards.
5. Verification of solder joints and position of the component by visual inspection.

TEMPERATURE PROFILE



Parameter	Value	Unit
Temperature rising Area	1 - 4	°C/sec
Max Peak Temperature	260	°C
Max dwell time @260°C	10	sec
Min dwell time @235°C	20	sec
Max dwell time @235°C	60	sec
Temperature drop in cooling Area	-1 to -4	°C/sec
Max dwell time above 100°C	420	sec

PAGE 4/4	ISSUE 30-06-15A	SERIES MCX	PART NUMBER R113424097
----------	-----------------	------------	------------------------



COPLANAR LINE

Pattern and signal are on the same side
 Thickness of PCB : .063 (1.6 mm)
 The material of PCB is the epoxy resin
 of glass fabrics bacs. (Er = 4.8)
 The solder resist should be printed
 except for the land pattern on the PCB.



Pattern



Land for solder paste

**SHADOW OF MCX RECEPTACLE
 FOR VIDEO CAMERA**

