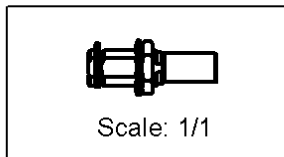
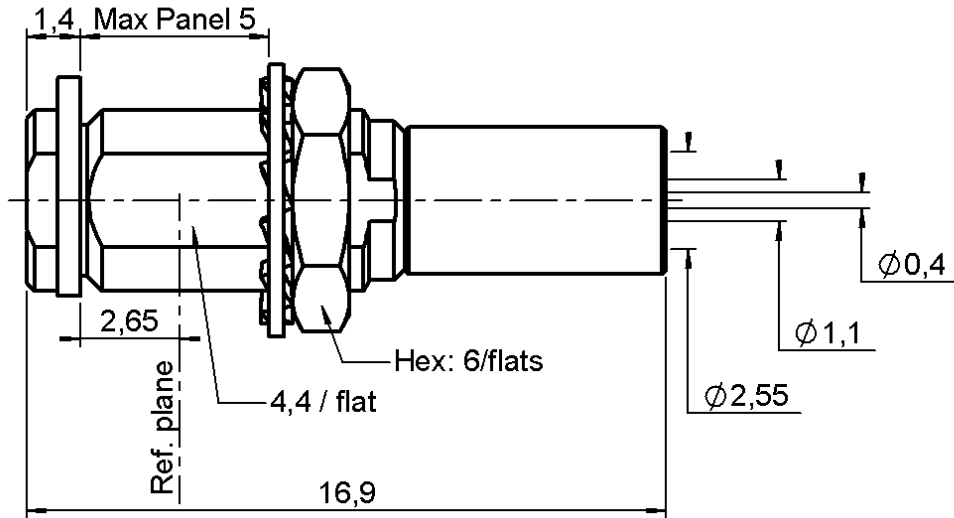


STRAIGHT BULKHEAD JACK CRIMP TYPE

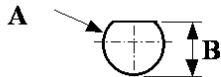
R113.306.000

CABLE 2/50 S

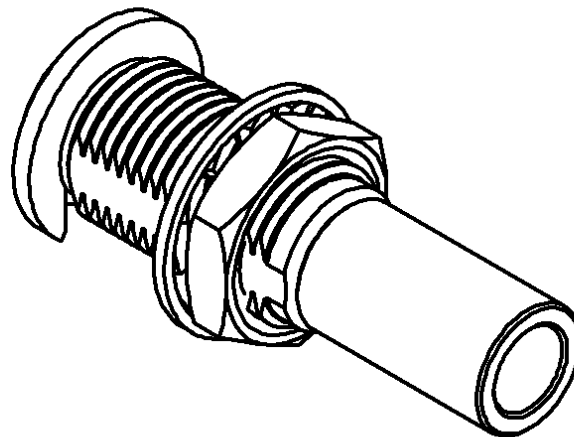
Series : MCX



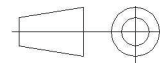
PANEL CUT OUT



mm		
	Maxi	mini
A	5	4.9
B	4.58	4.48



All dimensions are in mm.



COMPONENTS	MATERIALS	PLATINGS (µm)
BODY	BRASS	GOLD 0.2 OVER NICKEL 2
CENTER CONTACT	BERYLLIUM COPPER	GOLD 1.3 OVER NICKEL 2
OUTER CONTACT	-	-
INSULATOR	PTFE	-
GASKET	-	-
OTHERS PARTS	BRASS	GOLD 0.2 OVER NICKEL 2
-	-	-
-	-	-

Issue : 0508 H

In the effort to improve our products, we reserve the right to make changes judged to be necessary.



STRAIGHT BULKHEAD JACK CRIMP TYPE

R113.306.000

CABLE 2/50 S

Series : **MCX**

PACKAGING

Standard	Unit	Other
100	'W' option	Contact us

SPECIFICATION

ELECTRICAL CHARACTERISTICS

Impedance		50	Ω
Frequency		0-6	GHz
VSWR	1.10 +	0.080	x F(GHz) Maxi
Insertion loss		0.25	\sqrt{F} (GHz) dB Maxi
RF leakage	- (NA	- F(GHz)) dB Maxi
Voltage rating		170	Veff Maxi
Dielectric withstanding voltage		500	Veff mini
Insulation resistance		1000	M Ω mini

CABLE ASSEMBLY

Stripping	a	b	c	d	e	f
mm	2.50	6.00	10.5	0.00	8.00	0.00

Assembly instruction : **Crimp 02**

Recommended cable(s)
 RG 196
 RG 178 LC
 RG 178
 KX 21

MECHANICAL CHARACTERISTICS

Center contact retention			
Axial force – Mating end		NA	N mini
Axial force – Opposite end		NA	N mini
Torque		NA	N.cm mini

Characteristics indicated on this data sheet are those that can be achieved with the highest performance cable. Intrinsic limitations of the cable may diminish the performance of the assembly

Cable retention			
- pull off		32	N mini
- torque		0.5	N.cm

TOOLING

Recommended torque			
Mating		NA	N.cm
Panel nut		60	N.cm
Clamp nut		NA	N.cm
A/F clamp nut		0.000	mm
Mating life		500	Cycles mini
Weight		0.990	g

Part Number	Description	Hexagon
-	-	-
R282.271.000	CRIMPING TOOL	3.25 - SQUARE 0.72
R282.235.003	CRIMPING DIES	3.25
R282.293.000	CRIMPING TOOL	-

ENVIRONMENTAL

Operating temperature		-55/+155	$^{\circ}$ C
Hermetic seal		NA	Atm.cm3/s
Panel leakage		NA	

OTHERS CHARACTERISTICS

Issue : **0508 H**

In the effort to improve our products, we reserve the right to make changes judged to be necessary.



N