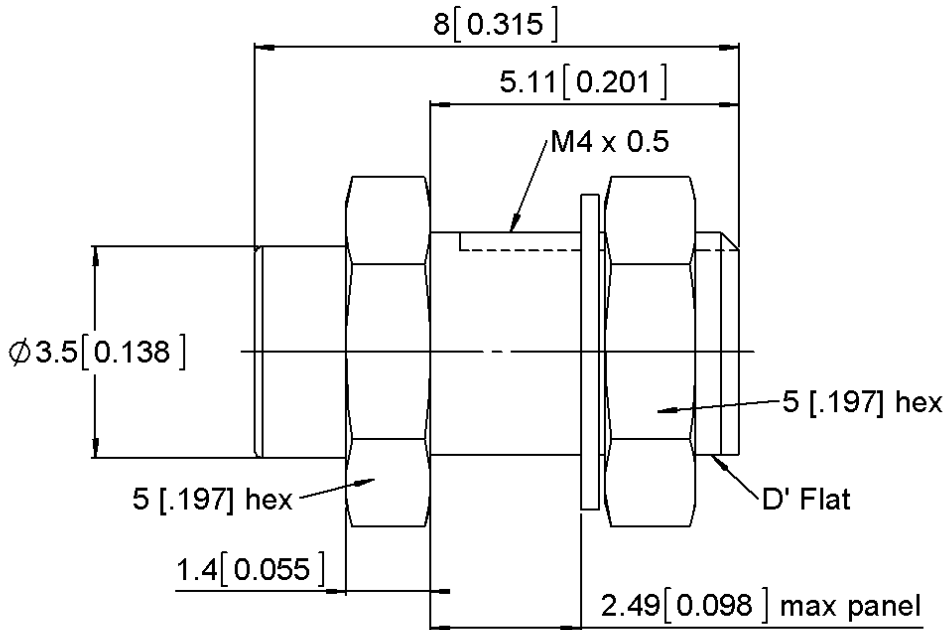


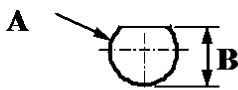
**MMCX F - MMCX F STRAIGHT  
ADAPTER**

**R110.704.103**

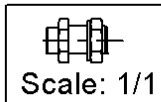
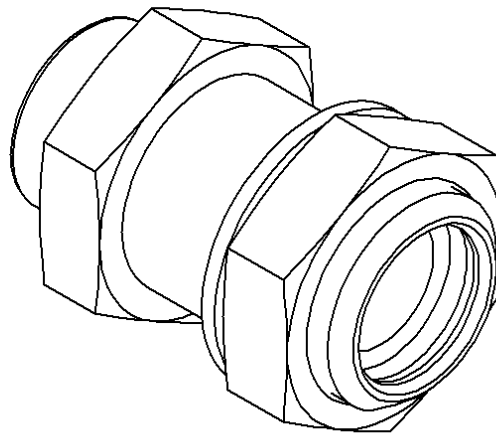
Série : ADAPT



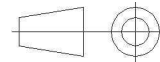
**PANEL CUT OUT**



mm		
	Maxi	mini
<b>A</b>	<b>4.39</b>	<b>3.99</b>
<b>B</b>	<b>4.11</b>	<b>3.71</b>



All dimensions are in mm.



COMPONENTS	MATERIALS	PLATING ( $\mu\text{m}$ )
BODY	BRASS.	GOLD 0.8 OVER COPPER 2.5
CENTER CONTACT	BERYLLIUM COPPER	GOLD 1.3 OVER NICKEL 2
OUTER CONTACT		
INSULATOR	PTFE	
GASKET		
OTHERS PARTS	BRASS.	GOLD 0.8 OVER COPPER 2.5
-	-	-
-	-	-

Issue : 1233 A

In the effort to improve our products, we reserve the rights to make changes judged to be necessary.



**MMCX F - MMCX F STRAIGHT**

**R110.704.103**

**ADAPTER**

Série : ADAPT

**PACKAGING**

**SPECIFICATION**

Standard	Unit	Other
	<b>'W' option</b>	<b>Contact us</b>

**ELECTRICAL CHARACTERISTICS**

**ENVIRONMENTAL**

Impedance	<b>50</b>	$\Omega$
Frequency	<b>0-6</b>	GHz
VSWR	<b>1.20 + 0,0300</b>	x F(GHz) Maxi
Insertion loss	<b>0.15</b>	$\sqrt{F}$ (GHz) dB Maxi
RF leakage	- ( <b>NA</b> )	- F(GHz)) dB Maxi
Voltage rating	<b>170</b>	Veff Maxi
Dielectric withstanding voltage	<b>500</b>	Veff mini
Insulation resistance	<b>1000</b>	M $\Omega$ mini

Operating	<b>-55/+155</b>	$^{\circ}$ C
Hermetic seal	<b>NA</b>	Atm.cm3/s
Panel leakage	<b>NA</b>	

**MECHANICAL CHARACTERISTICS**

**OTHER CHARACTERISTICS**

Center contact retention		
Axial force – Mating end		N mini
Axial force – Opposite end		N mini
Torque		N.cm mini
Recommended torque		
Mating	<b>0</b>	N.cm
	<b>0</b>	N.cm
	<b>0</b>	N.cm
Panel nut		N.cm
Mating life	<b>500</b>	Cycles mini
Weight	<b>0,7500</b>	g

Issue : 1233 A

In the effort to improve our products, we reserve the rights to make changes judged to be necessary.

