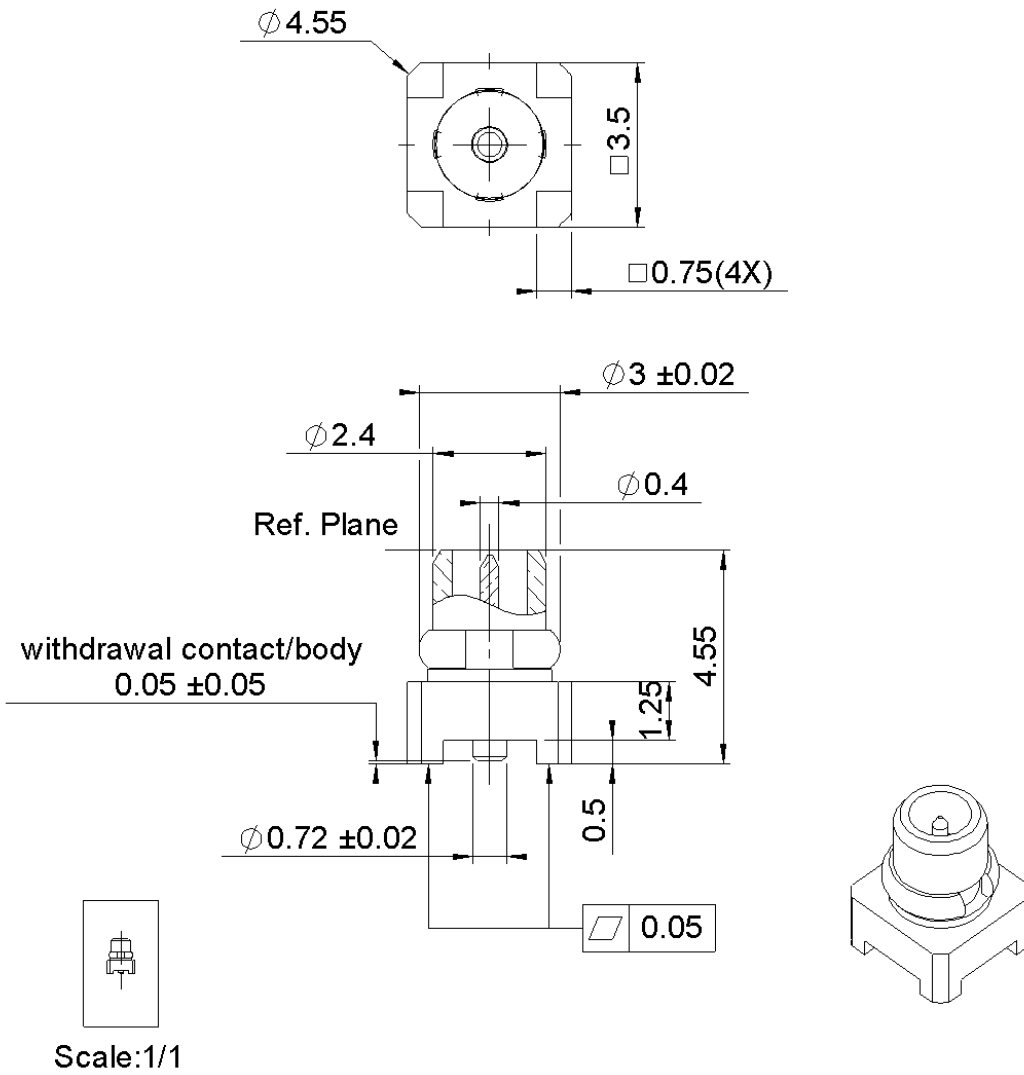


SMT STRAIGHT PLUG RECEPTACLE

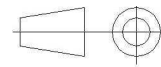
R110.434.860

REEL OF 500

Series : MMCX



All dimensions are in mm.



COMPONENTS	MATERIALS	PLATING (μm)
BODY	BRASS	.GOLD 0.2 OVER NICKEL 2
CENTER CONTACT	BRASS	.GOLD 1.3 OVER NICKEL 2
OUTER CONTACT	-	-
INSULATOR	PTFE	-
GASKET	-	-
OTHERS PARTS	BERYLLIUM COPPER	GOLD 0.5 OVER NICKEL 2
-	-	-
-	-	-

Issue : 0751 B

In the effort to improve our products, we reserve the right to make changes judged to be necessary.



SMT STRAIGHT PLUG RECEPTACLE

R110.434.860

REEL OF 500

Series : MMCX

PACKAGING

SPECIFICATION

Standard	Unit	Other
500	'W' option	Contact us

ELECTRICAL CHARACTERISTICS

ENVIRONMENTAL

Impedance	50	Ω
Frequency	0-6	GHz
VSWR	1.15 + 0,0050	x F(GHz) Maxi
Insertion loss	TBD	\sqrt{F} (GHz) dB Maxi
RF leakage	NA	- F(GHz)) dB Maxi
Voltage rating	170	Veff Maxi
Dielectric withstanding voltage	250	Veff mini
Insulation resistance	1000	M Ω mini

Operating temperature	-55/+155	$^{\circ}$ C
Hermetic seal	NA	Atm.cm3/s
Panel leakage	NA	

OTHER CHARACTERISTICS

Assembly instruction

Others :

MECHANICAL CHARACTERISTICS

Center contact retention		
Axial force – Mating end	7	N mini
Axial force – Opposite end	7	N mini
Torque	NA	N.cm mini
Recommended torque		
Mating	NA	N.cm
Panel nut	NA	N.cm
Mating life	500	Cycles mini
Weight	0,1760	g

Issue : 0751 B

In the effort to improve our products, we reserve the right to make changes judged to be necessary.



SMT STRAIGHT PLUG RECEPTACLE

R110.434.860

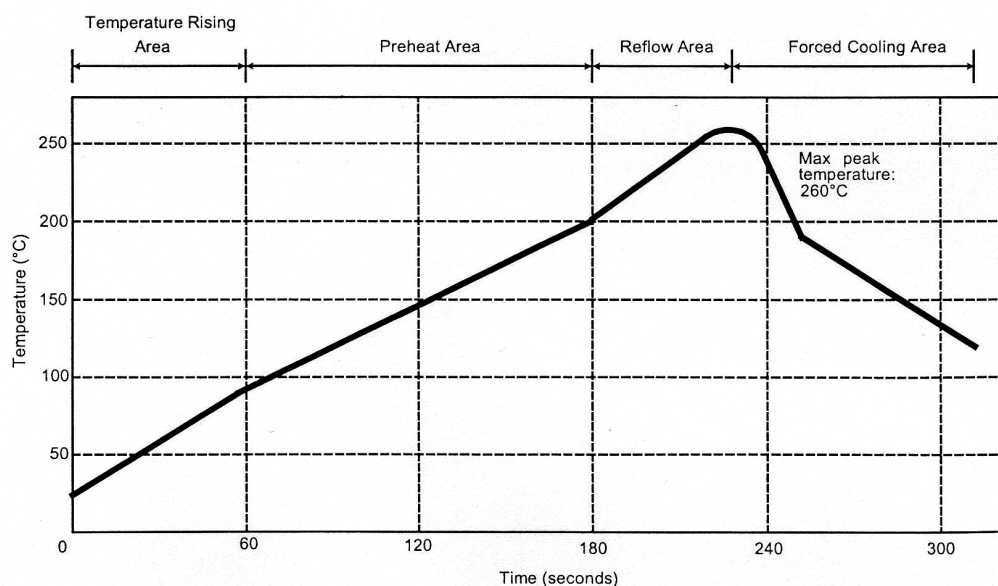
REEL OF 500

Series : MMCX

SOLDER PROCEDURE

1. Deposit solder paste 'Sn Ag4 Cu0.5' on mounting zone by screen printing application.
We recommend a low residue flux. We advise a thickness of 150 microms mini. (.006 inch mini).
Verify that the edges of the zone are clean.
2. Placement of the receptacle on the mounting zone with an automatic machine of 'pick and place' type. Aspiration port (see page 4) centered into body and push against it.
A video camera is recommended for positioning of the component . Adhesive agents must not be used on the receptacle.
3. Soldering by infra-red reflow.
Below please find ,the typical profile to use.
4. Cleaning of printed circuit boards.
5. Verification of solder joints and position of the component by visual inspection.

TEMPERATURE PROFILE



ParAmeter	Value	Unit
Temperature rising Area	1 - 4	°C/sec
Max Peak Temperature	260	°C
Max dwell time @260°C	10	sec
Min dwell time @235°C	20	sec
Max dwell time @235°C	60	sec
Temperature drop in cooling Area	-1 to - 4	°C/sec
Max dwell time above 100°C	420	sec

Issue : 0751 B

In the effort to improve our products, we reserve the right to make changes judged to be necessary.



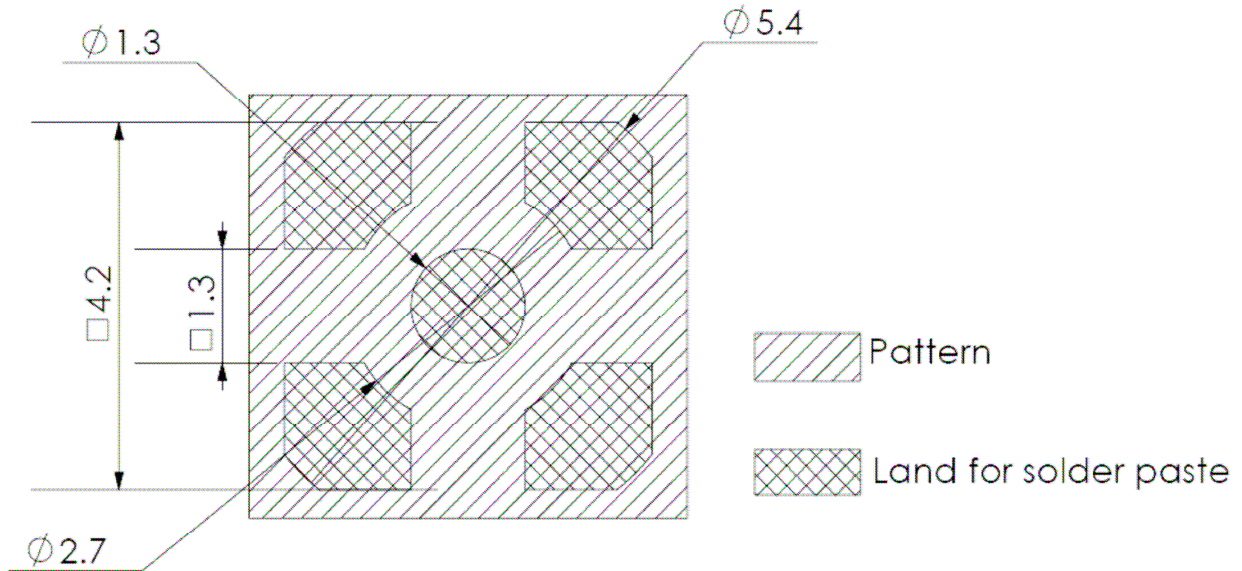
SMT STRAIGHT PLUG RECEPTACLE

R110.434.860

REEL OF 500

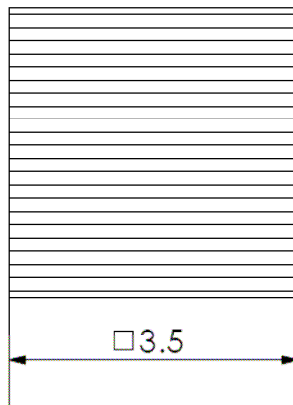
Series : MMCX

STANDARD PAD



COPLANAR LINE
 Pattern and signal are on the same side.
 Thickness of the PCB : 1.6 mm
 The material of the PCB is the epoxy resin of glass fabrics bacs (ER : 4.8)
 The solder resist should be printed except for the land pattern on the PCB.

SHADOW OF MMCX RECEPTACLE FOR VIDEO CAMERA



Issue : 0751 B

In the effort to improve our products, we reserve the right to make changes judged to be necessary.

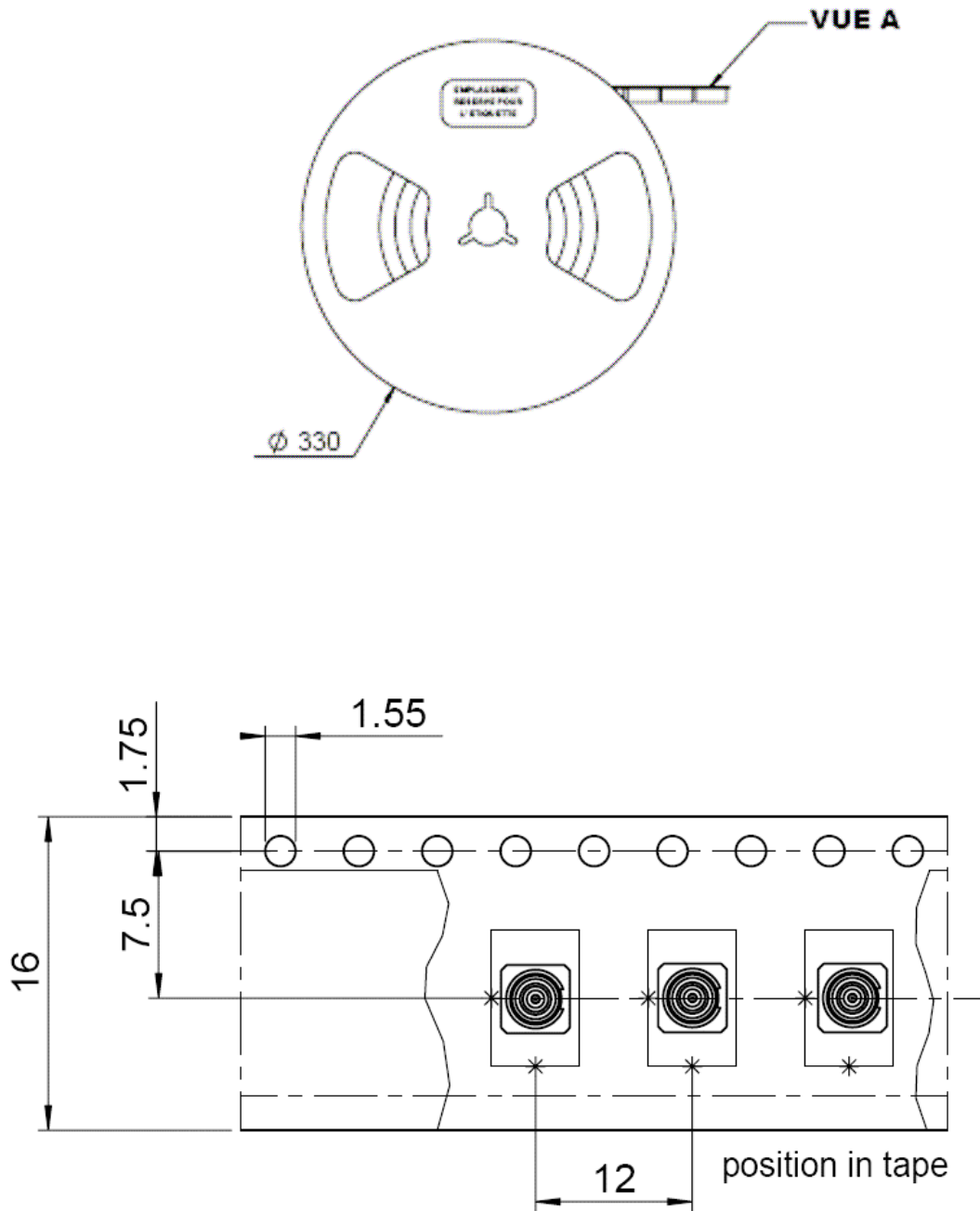


SMT STRAIGHT PLUG RECEPTACLE

R110.434.860

REEL OF 500

Series : MMCX



Issue : 0751 B

In the effort to improve our products, we reserve the right to make changes judged to be necessary.

