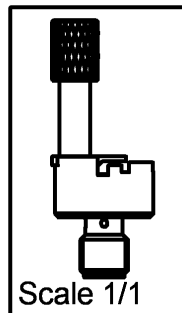
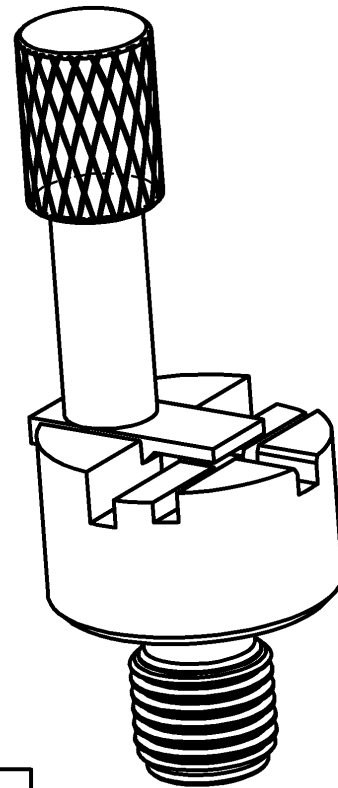
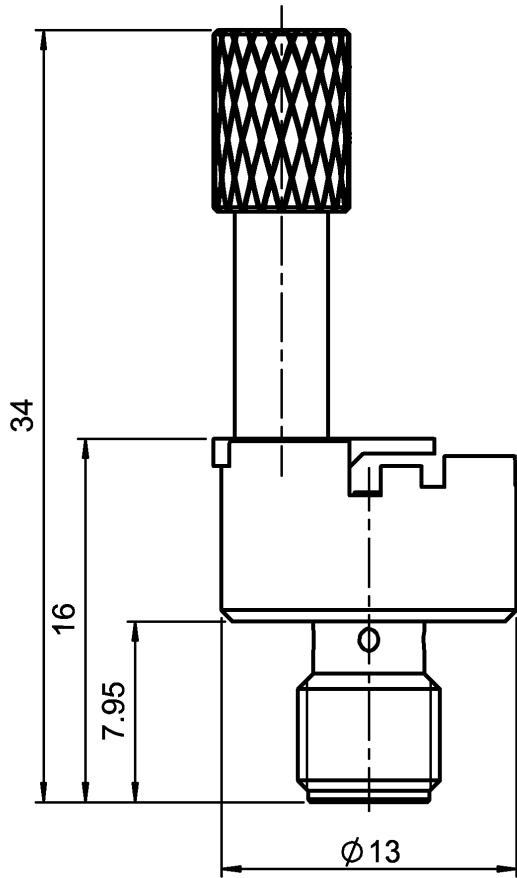


TEST ADAPTER
FOR UMP PIGTAIL HEIGHT 2 MM

R107.009.901

Series : UMP



All dimensions are in mm.



| COMPONENTS | MATERIALS | PLATINGS (µm) |
|----------------|-----------------------|------------------------|
| BODY | BRASS | GOLD 0.5 OVER NICKEL 2 |
| CENTER CONTACT | BERYLLIUM COPPER | GOLD 1.3 OVER NICKEL 2 |
| OUTER CONTACT | | |
| INSULATOR | PTFE | |
| GASKET | | |
| OTHERS PARTS | BRASS,STAINLESS STEEL | BBR + GOLD |
| - | - | - |
| - | - | - |

Issue : 0127 B

In the effort to improve our products, we reserve the right to make changes judged to be necessary.



TEST ADAPTER
FOR UMP PIGTAIL HEIGHT 2 MM

R107.009.901

Series : UMP

PACKAGING

SPECIFICATION

| Standard | Unit | Other |
|----------|------|-------------------|
| 1 | - | Contact us |

ELECTRICAL CHARACTERISTICS

ENVIRONMENTAL

| | | |
|---------------------------------|-----------------|------------------------------|
| Impedance | | 50 Ω |
| Frequency | | 0-6 GHz |
| VSWR | **1.10 + | 0.010 x F(GHz) Maxi |
| Insertion loss | | 0.4 √F(GHz) dB Maxi |
| RF leakage | - (| TBD - F(GHz)) dB Maxi |
| Voltage rating | | 350 Veff Maxi |
| Dielectric withstanding voltage | | 1000 Veff mini |
| Insulation resistance | | 5000 MΩ mini |

| | |
|-----------------------|--------------------|
| Operating temperature | -40/+90 ° C |
| Hermetic seal | - Atm.cm3/s |
| Panel leakage | - |

OTHERS CHARACTERISTICS

Assembly instruction

Others :

** ROS to 2.4 GHz

5000 cycles on mobile part

MECHANICAL CHARACTERISTICS

| | |
|----------------------------|------------------------|
| Center contact retention | |
| Axial force – Mating end | 27 N mini |
| Axial force – Opposite end | - N mini |
| Torque | - N.cm mini |
| Recommended torque | |
| Mating | 60 N.cm |
| Panel nut | - N.cm |
| Mating life | 100 Cycles mini |
| Weight | 11.100 g |

Issue : 0127 B

In the effort to improve our products, we reserve the right to make changes judged to be necessary.



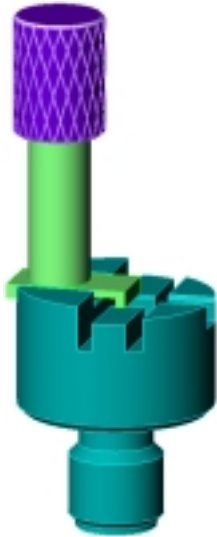
TEST ADAPTER
FOR UMP PIGTAIL HEIGHT 2 MM

R107.009.901

Series : UMP

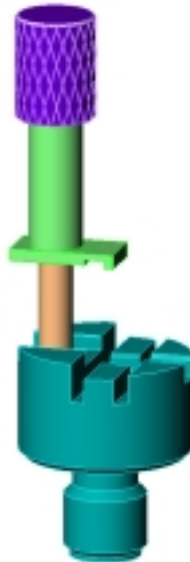
UTILIZATION

Phase 1

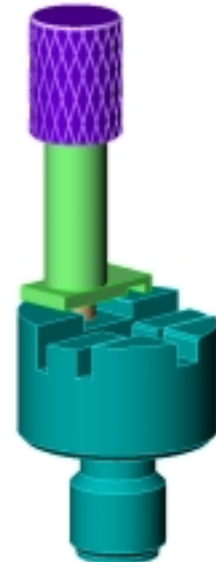


Initial position

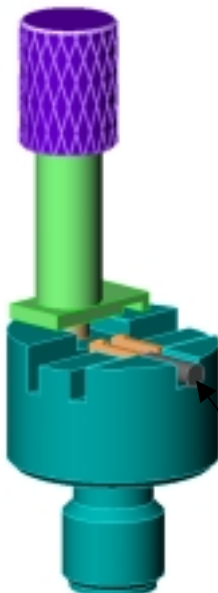
Phase 2



Phase 3

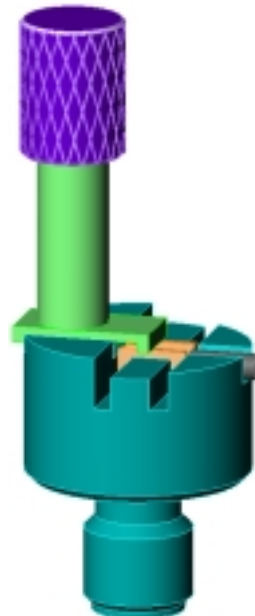


Phase 4



UMP

Phase 5



Issue : 0127 B

In the effort to improve our products, we reserve the right to make changes judged to be necessary.

