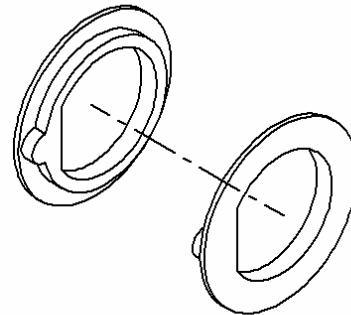
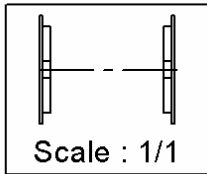
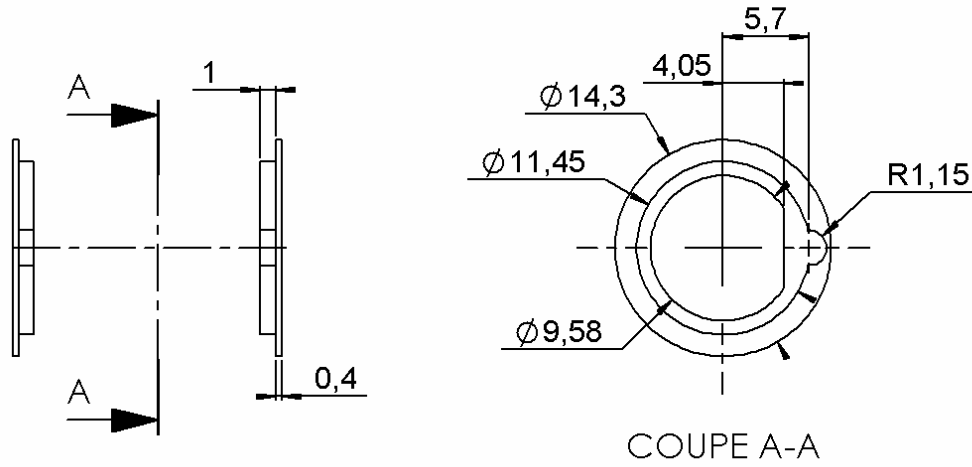


TWO INSULATED WASHERS

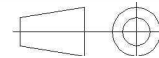
PACKAGING BY 100

99762

Series : **ACC-COAX**



All dimensions are in mm.



COMPONENTS	MATERIALS	PLATING (µm)
BODY	-	-
CENTER CONTACT	-	-
OUTER CONTACT	-	-
INSULATOR	NYLON Milross ref : 10221-N	-
GASKET	-	-
OTHERS PARTS	-	-

Operating temperature : -55/+155 °C

Weight : 0,1400 g

Others characteristics : Material spec. MIL-P-20963; Color : Natural.

Issue : 1209 C

In the effort to improve our products, we reserve the right to make changes judged to be necessary.

