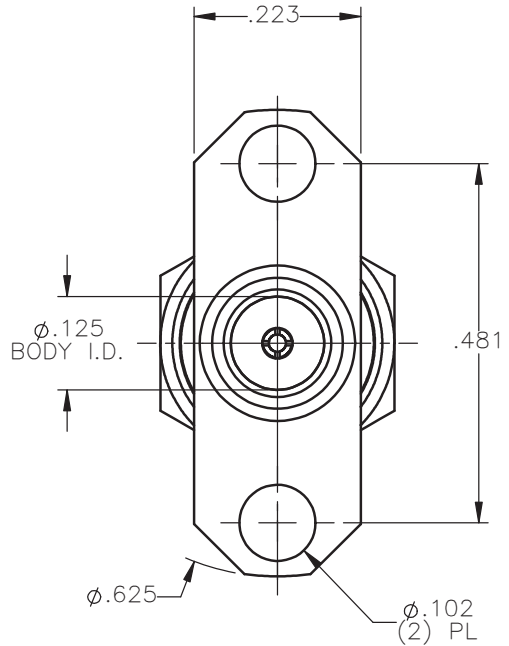
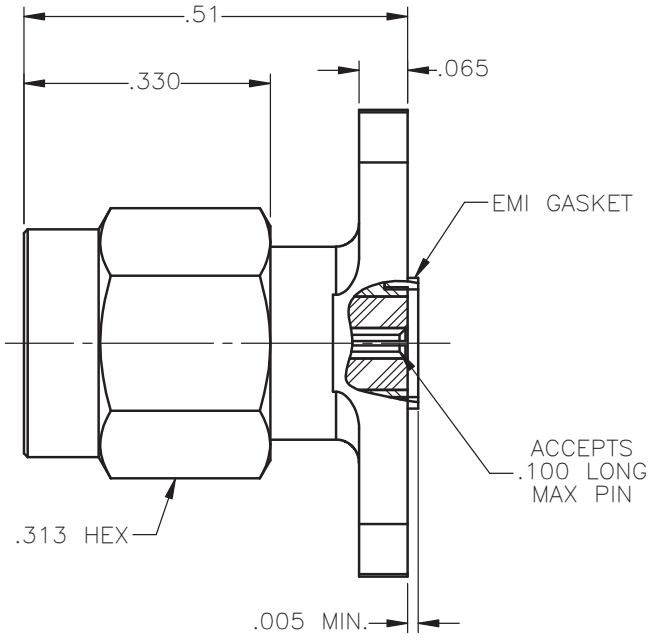


ACCESSORY CONTACT 907-111-2



REVISIONS			
REV.	DESCRIPTION	DATE	APPROVED
A	INITIAL RELEASE	10/10/12	D.N.



NOTES:

MATERIALS:

1. BODY & COUPLING NUT = STAINLESS STEEL PER ASTM A582, ALLOY 303, CONDITION "A".
2. INSULATOR = VIRGIN WHITE TEFLON PER ASTM D1710, GRADE 1, TYPE I, CLASS "B".
3. CONTACTS & RETAINING RING = BERYLLIUM COPPER PER ASTM B196, ALLOY C17300, TEMPER TD04.
4. GASKET = SILICONE RUBBER PER ZZ-R-765, CLASS 2B, GRADE 65-75.
5. EMI GASKET = CONDUCTIVE SILVER SILICONE ELASTOMERS 70 DUROMETER.

FINISHES:

1. BODY & COUPLING NUT = PASSIVATE PER QQ-P-35, TYPE VI.
2. CONTACTS = GOLD PLATE PER MIL-G-45204, TYPE II, CLASS 1, GRADE C, OVER .00010 TO .00020 STRESS FREE SULFAMATE NICKEL PER QQ-N-290.

UNLESS OTHERWISE SPECIFIED DIMENSIONS ARE IN INCHES TOLERANCES ON		DWN: D.N.	DATE: 10/10/12	 Property of Radiall This document cannot be reproduced or communicated to a third party without prior written permission of RADIALL.	
DECIMAL	ANGLE	CHKD: J.S.	DATE: 10/10/12		
		APVD: J.M.	DATE: 10/10/12		
REFERENCE:		MATERIALS & FINISHES: SEE NOTES		SMA STRAIGHT PLUG 2 HOLE FLANGE MOUNT RECEPTACLE	
ORIGINATED: D.N. DATE: 10/10/12		SIZE: A	FSCM NO.: 19505	DWG NO.: 9350-9513-000	REV: A
		SCALE: 4:1	THIRD ANGLE PROJECTION		SHEET 1 OF 1

9350-9513-000