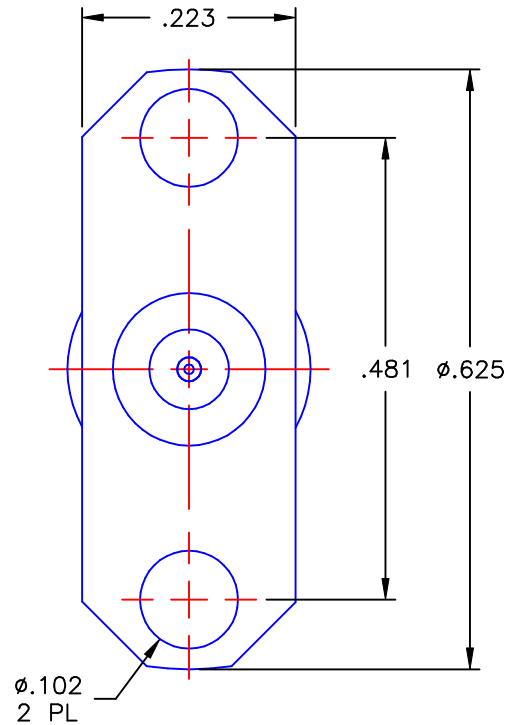
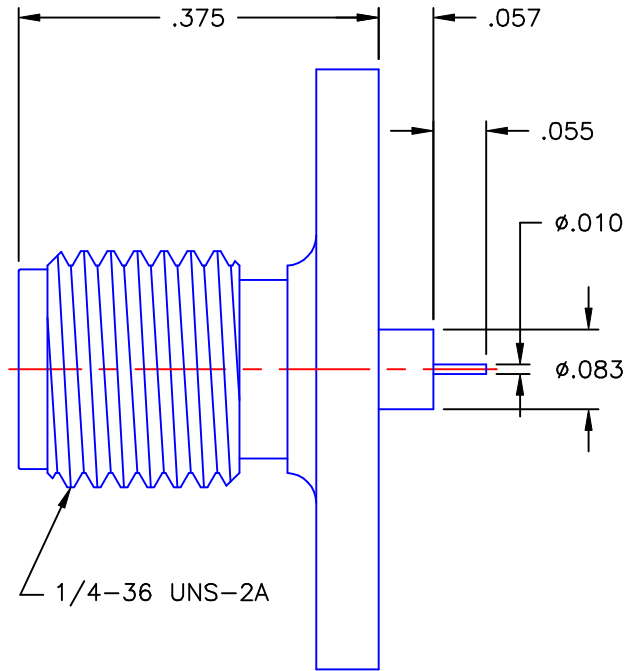


REVISIONS			
REV	DESCRIPTION	DATE	APPROVED
A	INITIAL RELEASE	01/21/11	A.D.M.




**NOTES:**

**MATERIALS:**

1. BODY = STAINLESS STEEL PER ASTM A582, ALLOY 303, CONDITION "A".
2. INSULATOR = VIRGIN WHITE TEFLON PER ASTM D1710, GRADE 1, TYPE I, CLASS "B".
3. CONTACT = BERYLLIUM COPPER PER ASTM B196, ALLOY C17300, TEMPER TD04.

**FINISHES:**

1. BODY = PASSIVATE PER QQ-P-35, TYPE VI.
2. CONTACT = GOLD PLATE PER MIL-G-45204, TYPE II, CLASS 1, GRADE C, OVER .00010 TO .00020 STRESS FREE SULFAMATE NICKEL PER QQ-N-290.

UNLESS OTHERWISE SPECIFIED DIMENSIONS ARE IN INCHES TOLERANCES ON		DWN: A.D.M.	DATE 01/21/11	 Property of Radial This document cannot be reproduced or communicated to a third party without prior written permission of RADIAL.		
		CHKD: D.N.	DATE 01/21/11			
		APVD: J.M.	DATE 01/21/11			
DECIMAL	ANGLE	SMA STRAIGHT JACK 2 HOLE FLANGE MOUNT RECEPTACLE				
REFERENCE:		MATERIALS & FINISHES: SEE NOTES	SIZE A	FSCM NO. 19505	DWG NO. 9308-9113-003	REV A
ORIGINATOR: A.D.M. DATE: 01/21/11		SCALE 5:1		THIRD ANGLE PROJECTION		SHEET 1 OF 1

9308-9113-003