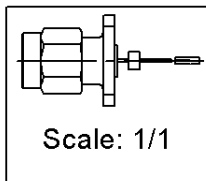
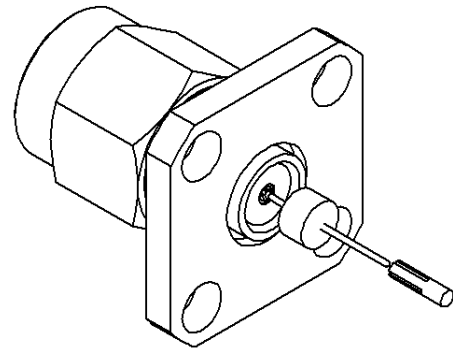
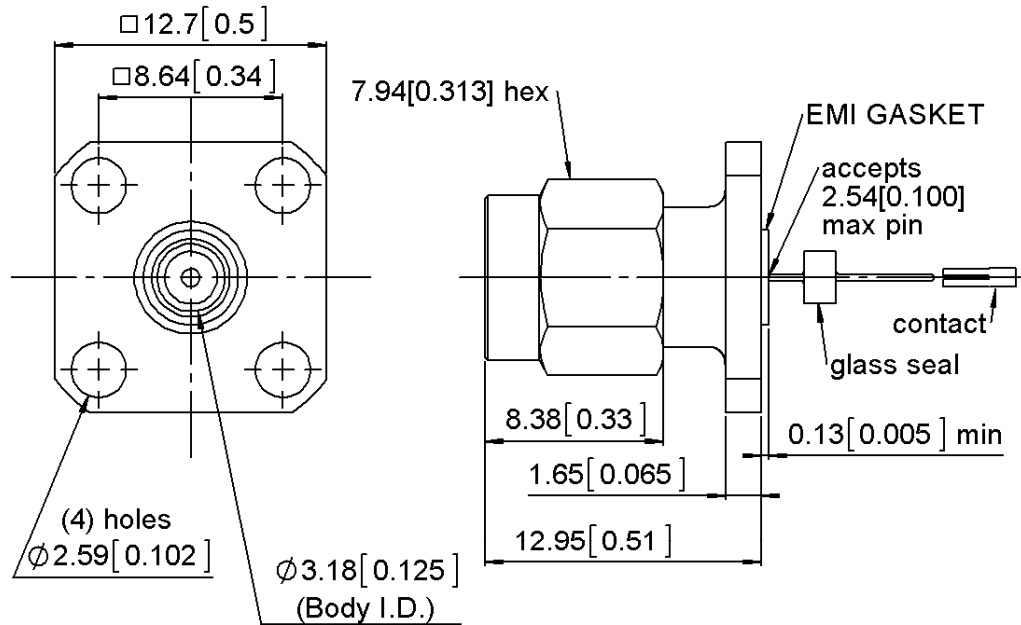
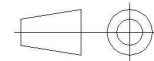


PAGE 1/3	ISSUE 1408 B	SERIES SMA	PART NUMBER 9247-9513-000
----------	--------------	------------	---------------------------



All dimensions are in mm.



COMPONENTS	MATERIALS	PLATING (µm)
Body	<b>STAINLESS STEEL</b>	<b>PASSIVATED</b>
Center contact	<b>BERYLLIUM COPPER</b>	<b>GOLD 1.3 OVER NICKEL 2.54</b>
Outer contact		
Insulator	<b>PTFE</b>	
Gasket	<b>SILICONE RUBBER</b>	
Others parts	<b>STAINLESS STEEL, BERYLLIUM COPPER</b>	<b>PASSIVATED, GOLD 1.27 OVER NICKEL 2.54</b>
EMI GASKET	<b>CONDUCTIVE SILVER SILICONE</b>	-
Glass Seal	<b>KOVAR, CORNING 7052</b>	<b>GOLD 1.27 OVER NICKEL 1.27 OVER COPPER</b>

PAGE 2/3	ISSUE 1408 B	SERIES SMA	PART NUMBER 9247-9513-000
----------	--------------	------------	---------------------------

**PACKAGING**

Standard	Unit	Other
1	Contact us	Contact us

**ELECTRICAL CHARACTERISTICS**

Impedance		<b>50</b>	Ω
Frequency		<b>0-26</b>	GHz
VSWR	<b>N/A +</b>	<b>0.0000</b>	x F(GHz) Maxi
Insertion loss		<b>.1*</b>	√F(GHz) dB Maxi
RF leakage	<b>- (</b>	<b>N/A</b>	- F(GHz)) dB Maxi
Voltage rating		<b>335</b>	Veff Maxi
Dielectric withstanding voltage		<b>1000</b>	Veff mini
Insulation resistance		<b>1000</b>	MΩ mini

**MECHANICAL CHARACTERISTICS**

Center contact retention			
Axial force – Mating End			N mini
Axial force – Opposite end			N mini
Torque			N.cm mini
Recommended torque			
Mating			N.cm
Panel nut			N.cm
Mating life		<b>500</b>	Cycles mini
Weight		<b>4.4100</b>	g

**ENVIRONMENTAL**

Operating temperature	<b>-65/+250</b>	°C
Hermetic seal	<b>10<sup>-8</sup></b>	Atm.cm <sup>3</sup> /s
Panel leakage		

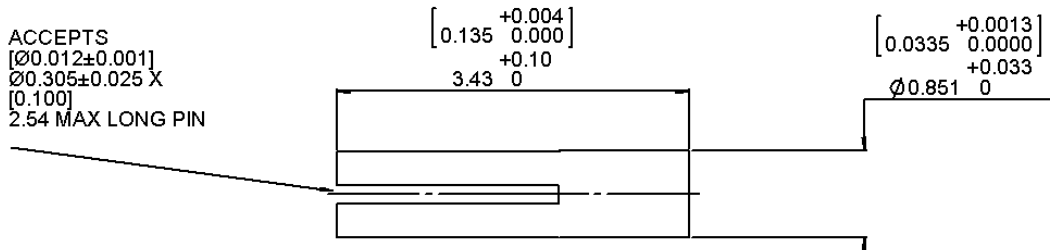
**SPECIFICATION**

**OTHER CHARACTERISTICS**

Assembly instruction:

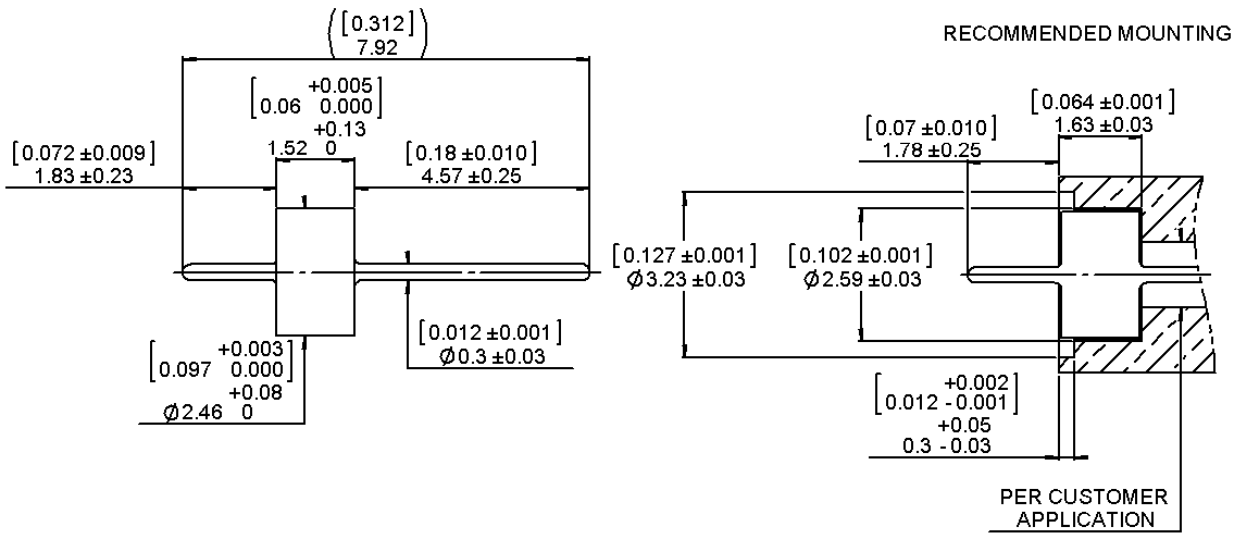
Others:  
**\* max to 12.4Ghz**  
**.2 Db max to 18Ghz**  
**.25 Db max to 26Ghz**

PAGE 3/3	ISSUE 1408 B	SERIES SMA	PART NUMBER 9247-9513-000
----------	--------------	------------	---------------------------



**MATERIALS:**  
BERYLLIUM COPPER PER ASTM B196, ALLOY C17300, TEMPER TD04.

**FINISH:**  
50µin (1.27µm) GOLD PLATE PER ASTM B488-01, TYPE II, GRADE C, OVER  
100-200µin (2.54-5.08µm) STRESS FREE SULFAMATE NICKEL PER QQ-N-290.



**MATERIALS:**  
OUTER RIGHT AND PIN: KOVAR  
GLASS BEAD = CORNING 7052

**FINISH:**  
OUTER RING AND PIN: 50 µin (1.27µm) GOLD PLATE PER MIL-G-45204, TYPE II, GRADE C, OVER  
50µin (1.27µm) NICKEL PER MIL-C-26074, OVER COPPER PER MIL-C-14550