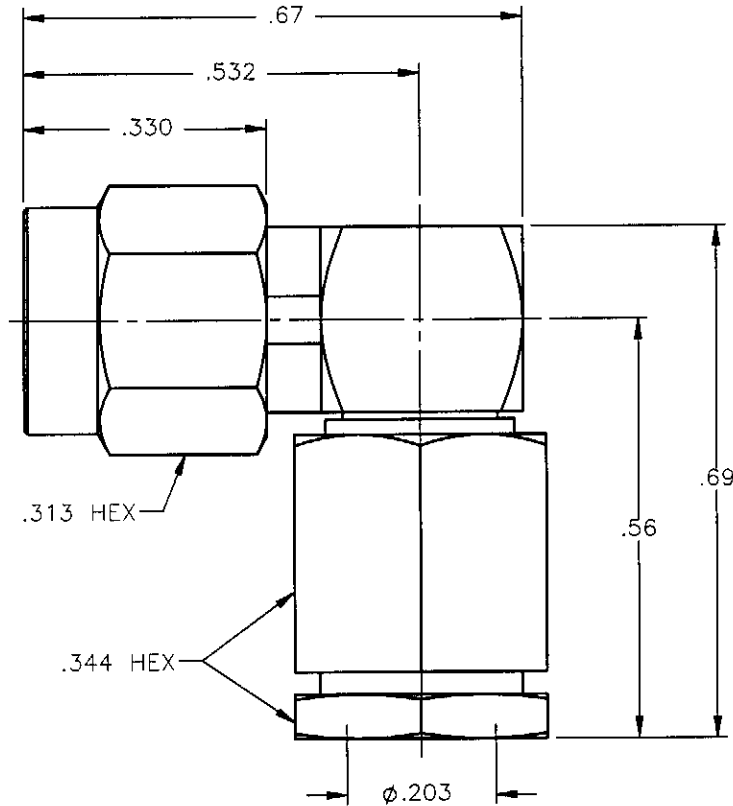


REVISIONS			
REV.	DESCRIPTION	DATE	APPROVED
A	INITIAL RELEASE	03/17/08	A.D.M.




NOTES:

MATERIALS:

1. BODIES & COUPLING NUT = STAINLESS STEEL PER ASTM A582, ALLOY 303, CONDITION "A".
2. INSULATORS = VIRGIN WHITE TEFLON PER ASTM D1710, GRADE 1, TYPE I, CLASS "B".
3. CONTACT & RETAINING RING = BERYLLIUM COPPER PER ASTM B196, ALLOY C17300, TEMPER TD04.
4. GASKET = SILICONE RUBBER PER ZZ-R-765, CLASS 2B, GRADE 65-75.
5. ALL OTHER METAL PARTS = BRASS PER ASTM B16, ALLOY C36000, TEMPER H02.

FINISHES:

1. BODIES = GOLD PLATE PER MIL-G-45204, TYPE II, CLASS 0, GRADE C, OVER .000050 TO .00010 STRESS FREE NICKEL PER QQ-N-290.
2. COUPLING NUT = PASSIVATE PER QQ-P-35, TYPE VI.
3. CONTACT = GOLD PLATE PER MIL-G-45204, TYPE II, CLASS 1, GRADE C, OVER .00010 TO .00020 STRESS FREE SULFAMATE NICKEL PER QQ-N-290.
4. ALL OTHER METAL PARTS = GOLD PLATE PER MIL-G-45204, TYPE II, CLASS 0, GRADE C, OVER .00010 TO .00020 COPPER STRIKE PER MIL-C-14550.

UNLESS OTHERWISE SPECIFIED DIMENSIONS ARE IN INCHES TOLERANCES ON	DWN: A.D.M.	DATE 03/17/08	 APPLIED ENGINEERING PRODUCTS a RADIALL company 104 John W. Murphy Dr. New Haven, CT 06513
	CHKD:	DATE 03/17/08	
DECIMAL	ANGLE	D.N.	SMA RIGHT ANGLE PLUG CLAMP TYPE FOR RG-58 & SIMILAR CABLES
		APVD: J.M.	
REFERENCE:	MATERIALS & FINISHES: SEE NOTES		SIZE A
ORIGINATED: A.D.M. DATE: 03/17/08			FSCM NO. 19505
		DWG NO. 9243-1553-006	
		REV A	
		SCALE 4:1	THIRD ANGLE PROJECTION
		SHEET 1 OF 1	

9243-1553-006