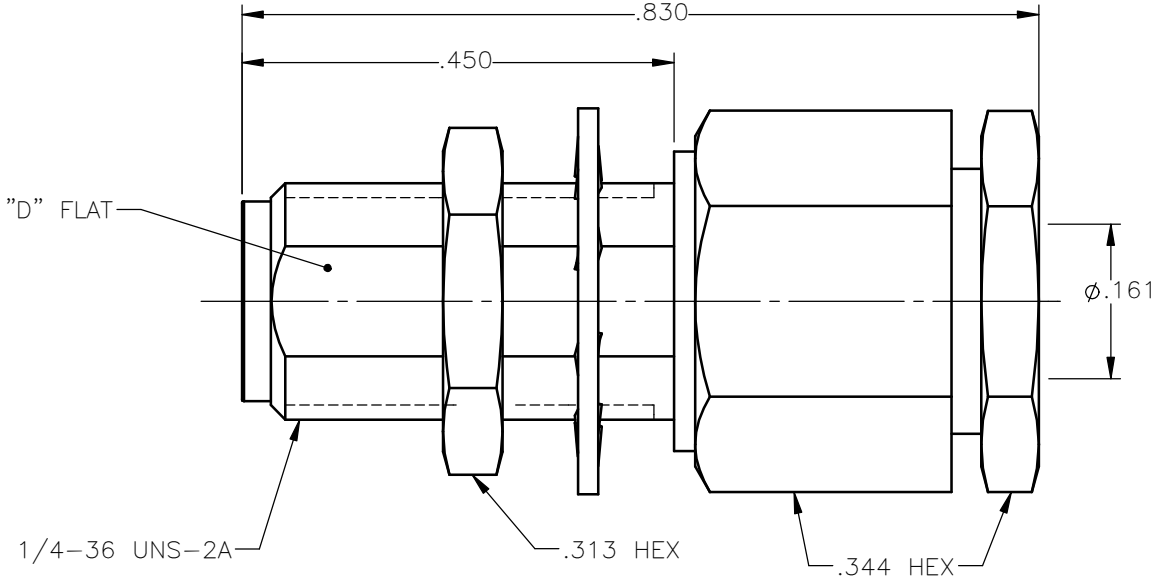


REVISIONS			
REV.	DESCRIPTION	DATE	APPROVED
A	INITIAL RELEASE	04/10/13	J.S.





NOTES:

MATERIALS:

1. BODY & NUT = STAINLESS STEEL PER ASTM A582, ALLOY 303, CONDITION "A".
2. CONTACT = BERYLLIUM COPPER PER ASTM B196, ALLOY C17300, TEMPER TD04.
3. INSULATORS = VIRGIN WHITE TEFLON PER ASTM D1710, GRADE 1, TYPE I, CLASS "B".
4. LOCKWASHER = PHOSPHOR BRONZE PER ASTM B139, COPPER ALLOY C53400, TEMPER H04.
5. ALL OTHER METAL PARTS = BRASS PER ASTM B16, ALLOY C36000, TEMPER H02.

FINISHES:

1. BODY & NUT = GOLD PLATE PER MIL-G-45204, TYPE II, CLASS 0, GRADE C, OVER .000050 TO .00010 STRESS FREE NICKEL PER QQ-N-290.
2. CONTACT = GOLD PLATE PER MIL-G-45204, TYPE II, CLASS 1, GRADE C, OVER .00010 TO .00020 STRESS FREE SULFAMATE NICKEL PER QQ-N-290.
3. ALL OTHER METAL PARTS = GOLD PLATE PER MIL-G-45204, TYPE II, CLASS 0, GRADE C, OVER .00010 TO .00020 COPPER STRIKE PER MIL-C-14550.

UNLESS OTHERWISE SPECIFIED DIMENSIONS ARE IN INCHES TOLERANCES ON	DWN: J.S.	DATE: 04/10/13	 Property of Radiall This document cannot be reproduced or communicated to a third party without prior written permission of RADIALL.			
	CHKD: D.N.	DATE: 04/10/13				
DECIMAL	ANGLE	APVD: J.M.	DATE: 04/10/13	SMA STRAIGHT JACK BULKHEAD REAR MOUNT COMPRESSION TYPE FOR RG-180 & SIMILAR CABLES		
REFERENCE:	MATERIALS & FINISHES: SEE NOTES	SIZE: A	FSCM NO.: 19505		DWG NO.: 9230-1553-004	REV: A
ORIGINATED: J.S. DATE: 04/10/13		SCALE: 5:1	THIRD ANGLE PROJECTION		SHEET 1 OF 1	

9230-1553-004