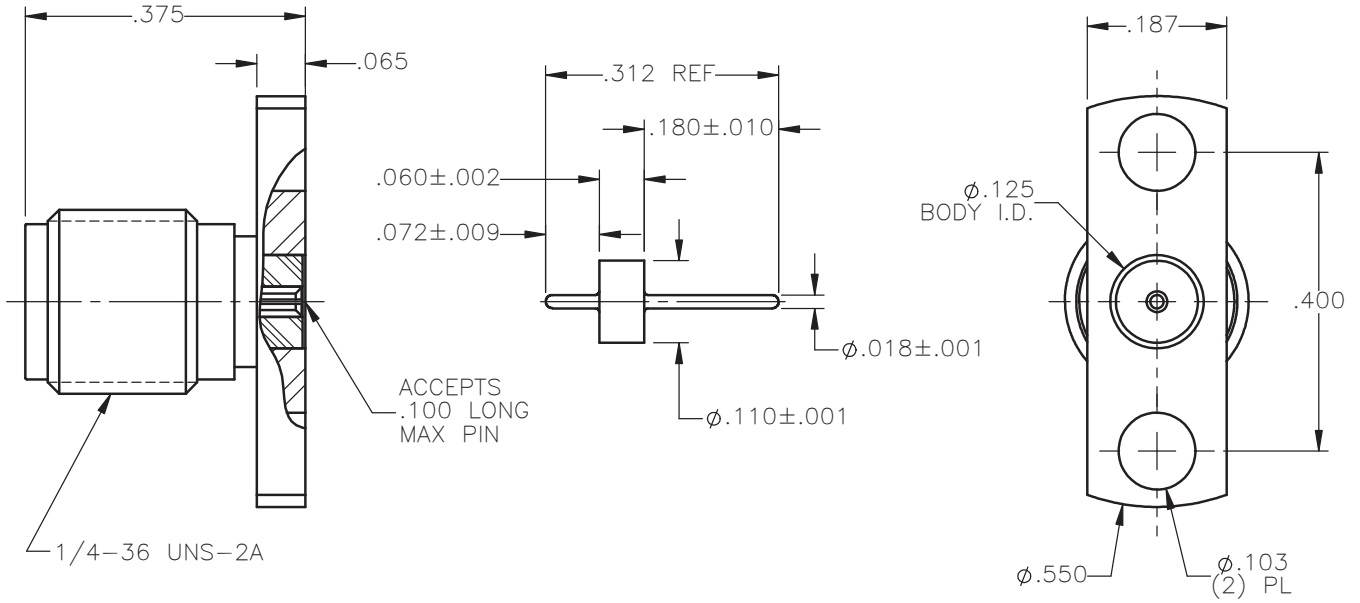


REVISIONS			
REV.	DESCRIPTION	DATE	APPROVED
A	INITIAL RELEASE	05/17/13	D.N.



NOTES:



MATERIALS:

1. BODY = STAINLESS STEEL PER ASTM A582, ALLOY 303, CONDITION "A".
2. INSULATOR = VIRGIN WHITE TEFLON PER ASTM D1710, GRADE 1, TYPE I, CLASS "B".
3. CONTACT = BERYLLIUM COPPER PER ASTM B196, ALLOY C17300, TEMPER TD04.
4. GLASS SEAL:
 OUTER RING AND PIN = KOVAR
 GLASS BEAD = CORNING 7070

FINISHES:

1. BODY = PASSIVATE PER QQ-P-35, TYPE VI.
2. CONTACT = GOLD PLATE PER MIL-G-45204, TYPE II, CLASS 1, GRADE C, OVER .00010 TO .00020 STRESS FREE SULFAMATE NICKEL PER QQ-N-290.
3. GLASS SEAL:
 OUTER RING AND PIN = GOLD PLATE PER MIL-G-45204, TYPE II, GRADE C, CLASS I, OVER NICKEL PER MIL-C-26074, CLASS I, OVER COPPER PER MIL-C-14550.

ASSEMBLY TO HAVE LEAK RATE LESS THAN 1×10^{-8} cc/sec.

UNLESS OTHERWISE SPECIFIED DIMENSIONS ARE IN INCHES TOLERANCES ON		DWN: D.N.	DATE: 05/17/13	 Property of Radiall This document cannot be reproduced or communicated to a third party without prior written permission of RADIALL.	
DECIMAL	ANGLE	CHKD: J.S.	DATE: 05/17/13		
		APVD: J.M.	DATE: 05/17/13		
REFERENCE:		MATERIALS & FINISHES:		SMA STRAIGHT JACK NARROW TWO HOLE FLANGE MOUNT WITH GLASS SEAL	
ORIGINATED: D.N. DATE: 05/17/13		SEE NOTES			
				SHEET 1 OF 1	

9181-9513-000