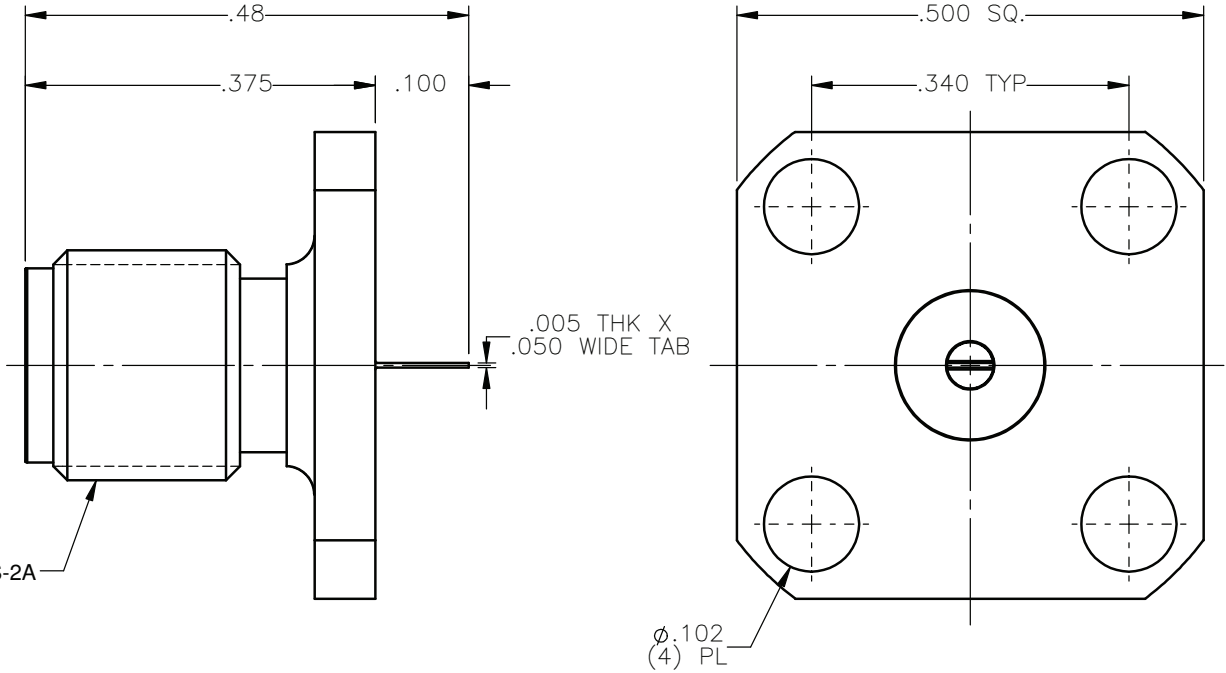


REVISIONS			
REV.	DESCRIPTION	DATE	APPROVED
A	INITIAL RELEASE	01/31/12	J.S.





NOTES:

MATERIALS:

1. BODY = STAINLESS STEEL PER ASTM A582, ALLOY 303, CONDITION "A".
2. INSULATOR = VIRGIN WHITE TEFLON PER ASTM D1710, GRADE 1, TYPE I, CLASS "B".
3. CONTACT = BERYLLIUM COPPER PER ASTM B196, ALLOY C17300, TEMPER TD04.

FINISHES:

1. BODY = GOLD PLATE PER MIL-G-45204, TYPE II, CLASS 0, GRADE C, OVER .000050 TO .00010 STRESS FREE NICKEL PER QQ-N-290.
2. CONTACT = GOLD PLATE PER MIL-G-45204, TYPE II, CLASS 1, GRADE C, OVER .00010 TO .00020 STRESS FREE SULFAMATE NICKEL PER QQ-N-290.

UNLESS OTHERWISE SPECIFIED DIMENSIONS ARE IN INCHES TOLERANCES ON		DWN: J.S.	DATE: 01/31/12	 Property of Radiall This document cannot be reproduced or communicated to a third party without prior written permission of RADIALL.	
DECIMAL	ANGLE	CHKD: D.N.	DATE: 01/31/12		
		APVD: J.M.	DATE: 01/31/12		
REFERENCE: ORIGINATED: J.S. DATE: 01/31/12		MATERIALS & FINISHES: SEE NOTES		SMA STRAIGHT JACK (4) HOLE FLANGE MOUNT TAB CONTACT RECEPTACLE	
		SIZE: A	FSCM NO.: 19505	DWG NO.: 9104-1113-000	REV: A
		SCALE: 5:1		THIRD ANGLE PROJECTION	SHEET 1 OF 1

9104-1113-000