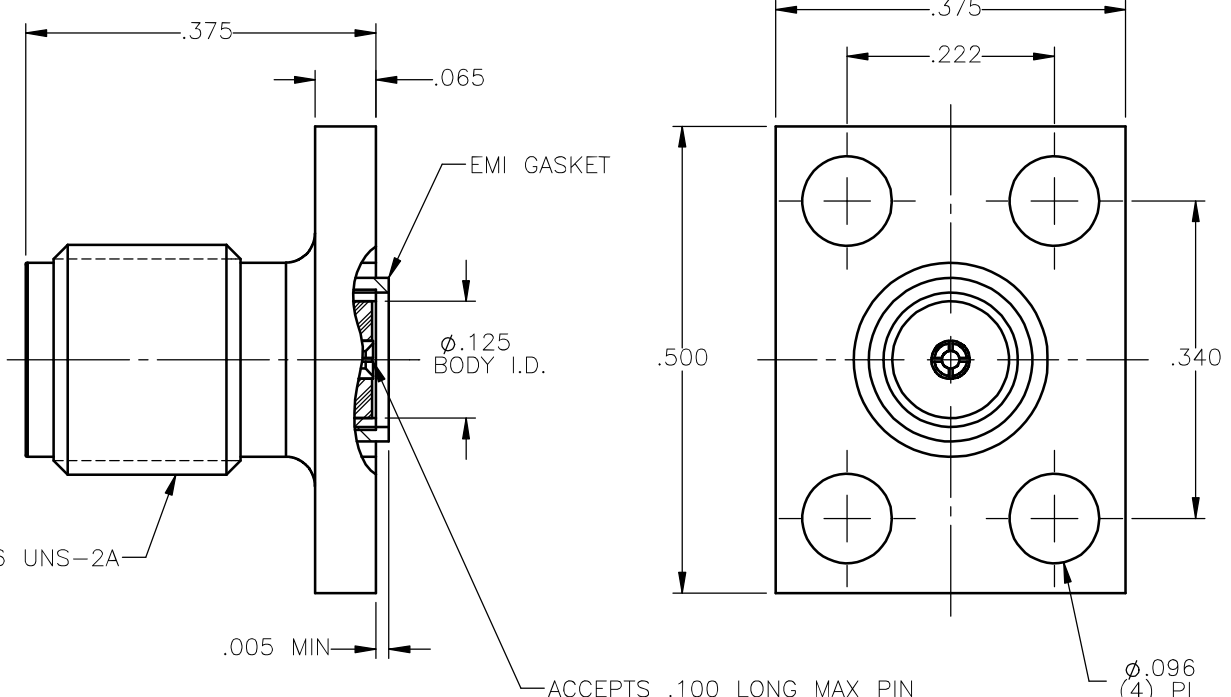


REVISIONS			
REV.	DESCRIPTION	DATE	APPROVED
A	INITIAL RELEASE	06/03/14	D.N.





NOTES:

MATERIALS:

1. BODY = STAINLESS STEEL PER ASTM A582, ALLOY 303, CONDITION "A".
2. INSULATOR = VIRGIN WHITE TEFLON PER ASTM D1710, GRADE 1, TYPE I, CLASS "B".
3. CONTACT = BERYLLIUM COPPER PER ASTM B196, ALLOY C17300, TEMPER TD04.
4. EMI GASKET = CONDUCTIVE SILVER SILICONE ELASTOMERS 70 DUROMETER

FINISHES:

1. BODY = PASSIVATE PER SAE-AMS-2700.
2. CONTACT = GOLD PLATE PER ASTM B488-01, TYPE II, 50µin MIN, GRADE C, OVER 100 TO 200µin STRESS FREE SULFAMATE NICKEL PER QQ-N-290.

UNLESS OTHERWISE SPECIFIED DIMENSIONS ARE IN INCHES TOLERANCES ON		DWN: D.N.	DATE: 06/03/14	 Property of Radiall This document cannot be reproduced or communicated to a third party without prior written permission of RADIALL.	
		CHKD: J.S.	DATE: 06/03/14		
DECIMAL	ANGLE	APVD: J.M.	DATE: 06/03/14	SMA STRAIGHT JACK HERMETIC SEAL LAUNCHER RECTANGULAR FLANGE	
REFERENCE:	MATERIALS & FINISHES:	SEE NOTES			
ORIGINATED: D.N. DATE: 06/03/14				DWG NO.: 9062-9513-001	REV: A
				SCALE: 5:1	THIRD ANGLE PROJECTION
				SHEET 1 OF 1	

9062-9513-001