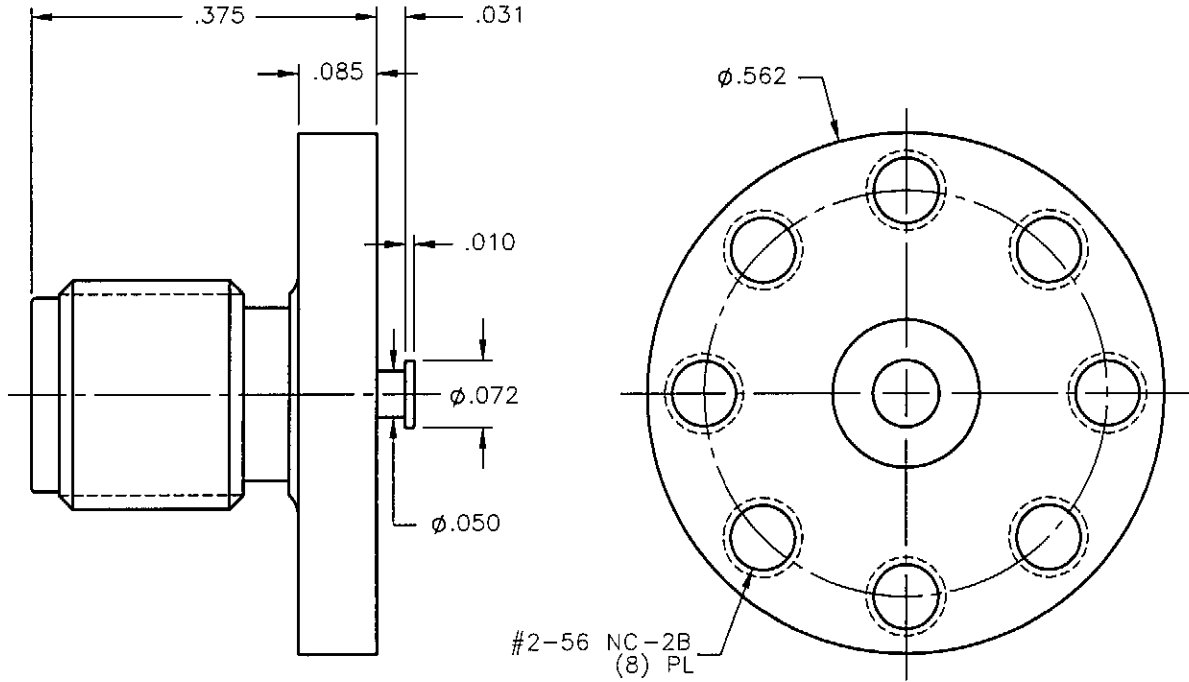


REVISIONS			
REV.	DESCRIPTION	DATE	APPROVED
A	INITIAL RELEASE	09/25/08	A.D.M.



NOTES:


MATERIALS:

1. BODY = STAINLESS STEEL PER ASTM A582, ALLOY 303, CONDITION "A".
2. INSULATOR = VIRGIN WHITE TEFLON PER ASTM D1710, GRADE 1, TYPE I, CLASS "B".
3. CONTACT = BERYLLIUM COPPER PER ASTM B196, ALLOY C17300, TEMPER TD04.

FINISHES:

1. BODY = GOLD PLATE PER MIL-G-45204, TYPE II, CLASS 0, GRADE C, OVER .000050 TO .00010 STRESS FREE NICKEL PER QQ-N-290.
2. CONTACT = GOLD PLATE PER MIL-G-45204, TYPE II, CLASS 1, GRADE C, OVER .00010 TO .00020 STRESS FREE SULFAMATE NICKEL PER QQ-N-290.

Property of Radiall Incorporated
This document cannot be reproduced or communicated to a third party without prior written permission of RADIALL Incorporated.

UNLESS OTHERWISE SPECIFIED DIMENSIONS ARE IN INCHES TOLERANCES ON	DWN:	DATE	 APPLIED ENGINEERING PRODUCTS 104 John W. Murphy Dr. New Haven, CT 06513 a RADIALL company		
	A.D.M.	09/25/08			
DECIMAL	ANGLE	CHKD:	SMA STRAIGHT JACK TO STRIPLINE NON-CAPTIVE CONTACT		
		D.N.		09/25/08	
REFERENCE:	MATERIALS & FINISHES:	APVD:	DATE		
ORIGINATED: A.D.M. DATE: 09/25/08	SEE NOTES	J.M.	09/25/08		
		SIZE	FSCM NO.	DWG NO.	REV
		A	19505	9003-1213-001	A
		SCALE 5:1	THIRD ANGLE PROJECTION		SHEET 1 OF 1

9003-1213-001