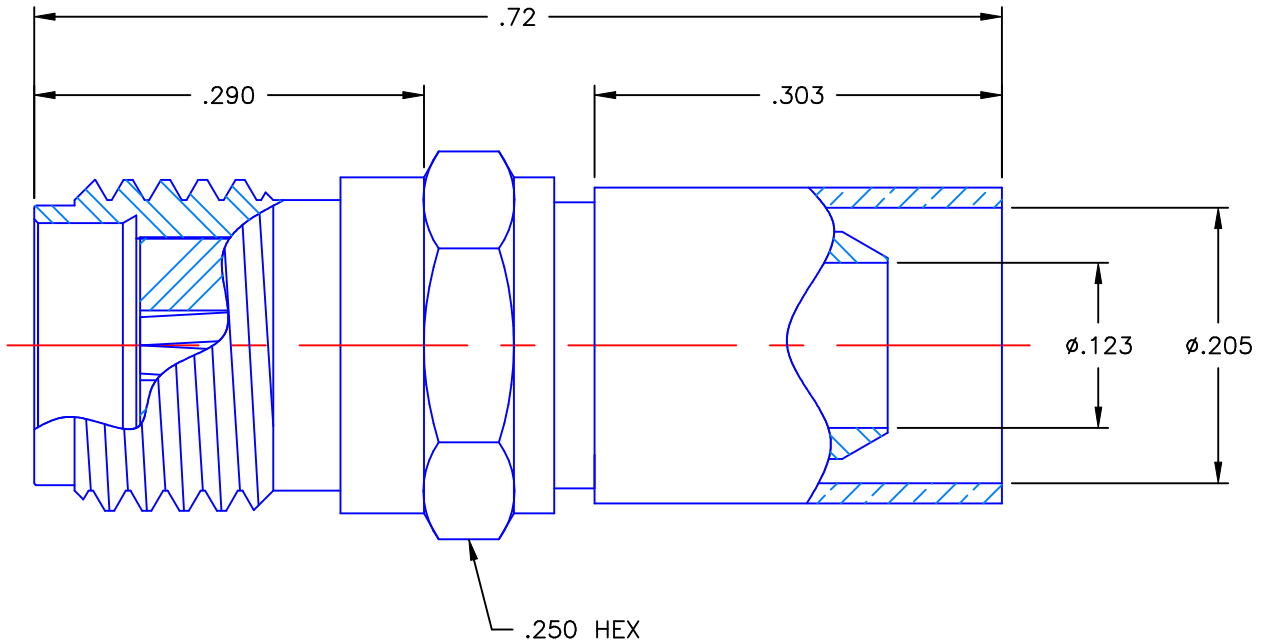


PROPRIETARY INFORMATION  
 NOT TO BE RELEASED  
 WITHOUT WRITTEN PERMISSION  
 FROM AN AUTHORIZED  
 REPRESENTATIVE OF  
 APPLIED ENGINEERING PRODUCTS

REVISIONS			
REV	DESCRIPTION	DATE	APPROVED
A	INITIAL RELEASE	12/03/07	D.N.




NOTES:

MATERIALS:

- BODY = STAINLESS STEEL PER ASTM A582, ALLOY 303, CONDITION "A".
- INSULATOR = VIRGIN WHITE TEFLON PER ASTM D1710, GRADE 1, TYPE I, CLASS "B".
- CONTACT = BERYLLIUM COPPER PER ASTM B196, ALLOY C17300, TEMPER TD04.
- CRIMP SLEEVE = SEAMLESS LOWLEAD BRASS TUBE, ALLOY 330, SOFT ANNEAL TEMPER, .025/.060 GRAIN SIZE OR SEAMLESS COPPER TUBE PER ASTM B75, TYPE C12000, TEMPER: LIGHT ANNEAL O50 EXCEPT YIELD STRENGTH.
- SHRINK SLEEVE = THEROFIT SCL, BLACK (NOT SHOWN).

FINISHES:

- BODY = PASSIVATE PER QQ-P-35, TYPE VI.
- CONTACT = GOLD PLATE PER MIL-G-45204, TYPE II, CLASS 1, GRADE C, OVER .00010 TO .00020 STRESS FREE SULFAMATE NICKEL PER QQ-N-290.
- CRIMP SLEEVE & NUT = NICKEL PLATE PER QQ-N-290, CLASS 1, GRADE G, EXCEPT .0001 TO .0002 THICK OVER .00005 TO .0001 THICK COPPER PER MIL-C-14550.

UNLESS OTHERWISE SPECIFIED DIMENSIONS ARE IN INCHES TOLERANCES ON	DWN:	DATE	 <b>APPLIED ENGINEERING PRODUCTS</b> 104 John W. Murphy Dr. New Haven, CT 06513
	D.N.	12/03/07	
DECIMAL	ANGLE	CHKD:	SMA STRAIGHT JACK CRIMP TYPE FOR RG-58 & SIMILAR CABLES
		A.D.M.	
		APVD:	DATE
		J.M.	12/03/07
REFERENCE:	MATERIALS & FINISHES:	SIZE	FSCM NO.
ORIGINATOR: D.N.	SEE NOTES	A	19505
DATE: 12/03/07		SCALE	DWG NO.
		7:1	9002-9023-006
			REV
			A
		THIRD ANGLE PROJECTION	SHEET 1 OF 1

9002-9023-006