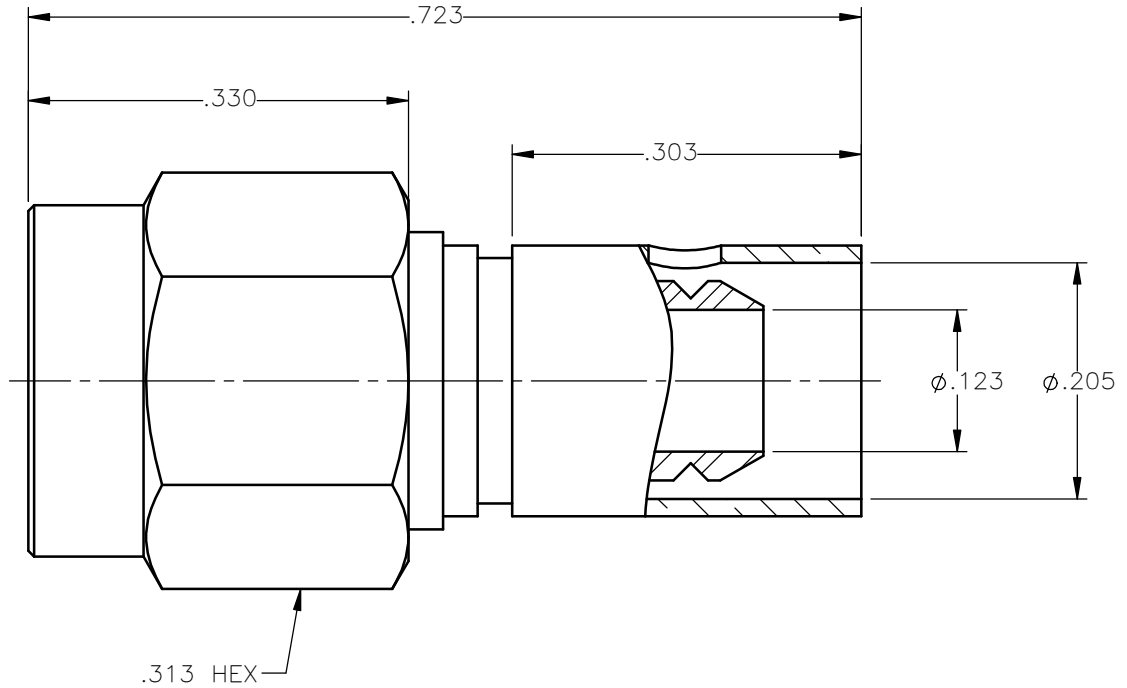
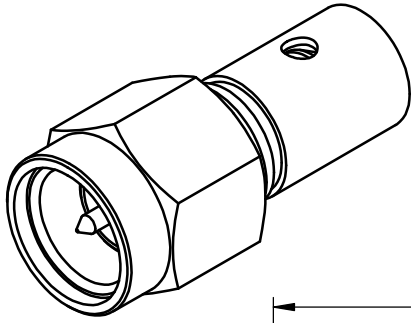


REVISIONS			
REV.	DESCRIPTION	DATE	APPROVED
A	INITIAL RELEASE	08/26/15	D.N.





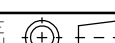
NOTES:

MATERIALS:

1. BODY & COUPLING NUT = STAINLESS STEEL PER ASTM A582, ALLOY 303, CONDITION "A".
2. INSULATOR = VIRGIN WHITE TEFLON PER ASTM D1710, GRADE 1, TYPE I, CLASS "B".
3. CONTACT & RETAINING RING = BERYLLIUM COPPER PER ASTM B196, ALLOY C17300, TEMPER TD04.
4. CRIMP SLEEVE = SEAMLESS LOWLEAD BRASS TUBE, ALLOY 330, SOFT ANNEAL TEMPER, .025/.060 GRAIN SIZE OR SEAMLESS COPPER TUBE PER ASTM B75, TYPE C12000, TEMPER: LIGHT ANNEAL O50 EXCEPT YIELD STRENGTH.
5. GASKET = SILICONE RUBBER PER ZZ-R-765, CLASS 2B, GRADE 65-75.
6. SHRINK SLEEVE = THERMOFIT SCL (NOT SHOWN)

FINISHES:

1. BODY = GOLD PLATE PER ASTM B488-01, TYPE II, 30µin MIN, GRADE C, OVER 50 TO 100µin STRESS FREE NICKEL PER QQ-N-290.
2. CONTACT = GOLD PLATE PER ASTM B488-01, TYPE II, 50µin MIN, GRADE C, OVER 100 TO 200µin STRESS FREE SULFAMATE NICKEL PER QQ-N-290.
3. CRIMP SLEEVE = GOLD PLATE PER ASTM B488-01, TYPE II, 30µin MIN, GRADE C OVER 100 TO 200µin COPPER STRIKE PER MIL-C-14550.
4. COUPLING NUT = PASSIVATE PER SAE-AMS-2700

UNLESS OTHERWISE SPECIFIED DIMENSIONS ARE IN INCHES TOLERANCES ON	DWN:	DATE		Property of Radiall			
	D.N.	08/26/15		This document cannot be reproduced or communicated to a third party without prior written permission of RADIALL.			
DECIMAL	ANGLE	CHKD:	DATE	SMA STRAIGHT PLUG CRIMP TYPE FOR RG-58 & SIMILAR CABLES			
		N.D.	08/26/15				
		APVD:	DATE	SIZE	FSCM NO.	DWG NO.	REV
		J.M.	08/26/15	A	19505	9001-1033-006	A
REFERENCE:	MATERIAL & FINISHES:		SCALE	THIRD ANGLE PROJECTION		SHEET 1 OF 1	
ORIGINATED: D.N. DATE: 08/26/15	SEE NOTES		6:1				

9001-1033-006