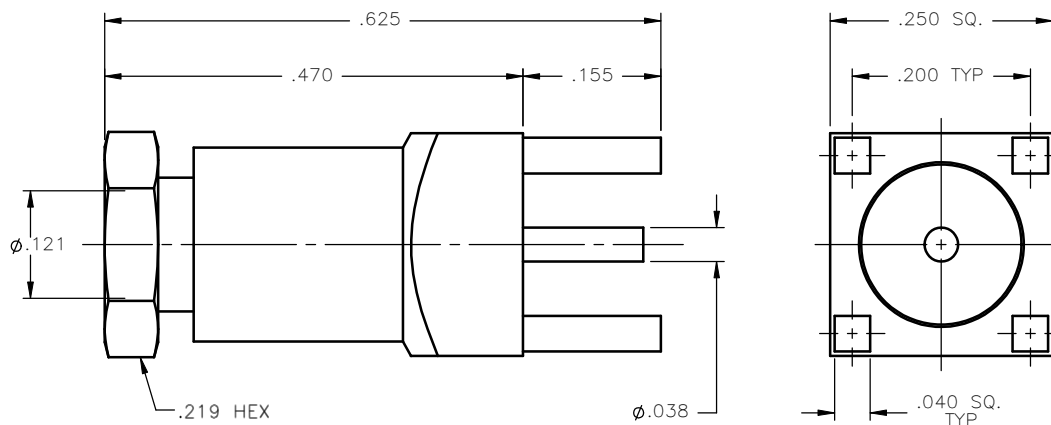


REVISIONS			
REV.	DESCRIPTION	DATE	APPROVED
A	INITIAL RELEASE	10/21/09	A.D.M.



NOTES:

MATERIALS:

1. INSULATORS = VIRGIN WHITE TEFLON PER ASTM D1710, GRADE 1, TYPE I, CLASS "B".
2. ALL OTHER METAL PARTS = BRASS PER ASTM B16, ALLOY C36000, TEMPER H02.

FINISHES:

1. CONTACT = GOLD PLATE PER MIL-G-45204, TYPE II, CLASS 1, GRADE C, OVER .00010 TO .00020 STRESS FREE SULFAMATE NICKEL PER QQ-N-290.
2. ALL OTHER METAL PARTS = GOLD PLATE PER MIL-G-45204, TYPE II, CLASS 0, GRADE C, OVER .00010 TO .00020 COPPER STRIKE PER MIL-C-14550.

Property of Radiall Incorporated
 This document cannot be reproduced or
 communicated to a third party without prior
 written permission of RADIALL Incorporated.

UNLESS OTHERWISE SPECIFIED DIMENSIONS ARE IN INCHES TOLERANCES ON		DWN:	DATE
		A.D.M.	10/21/09
DECIMAL		CHKD:	DATE
		D.N.	10/21/09
ANGLE		APVD:	DATE
		J.M.	10/21/09
REFERENCE:		MATERIALS & FINISHES:	
ORIGINATED: A.D.M. DATE: 10/21/09		SEE NOTES	



APPLIED ENGINEERING PRODUCTS
 104 John W. Murphy Dr.
 New Haven, CT 06513

STRAIGHT CABLE TERMINATION
 P.C.B. MOUNT SOLDER/CLAMP TYPE
 FOR .086 S/R & SIMILAR CABLES

SIZE	FSCM NO.	DWG NO.	REV
A	19505	8046-1541-010	A
SCALE 6:1		THIRD ANGLE PROJECTION	SHEET 1 OF 1

8046-1541-010