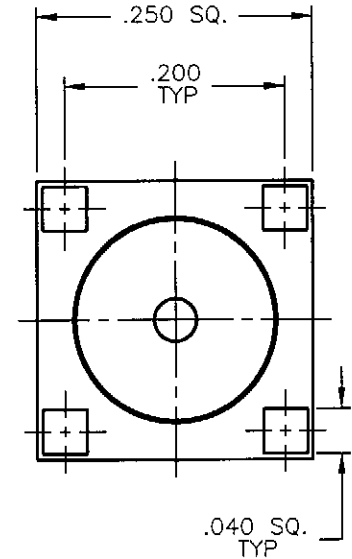
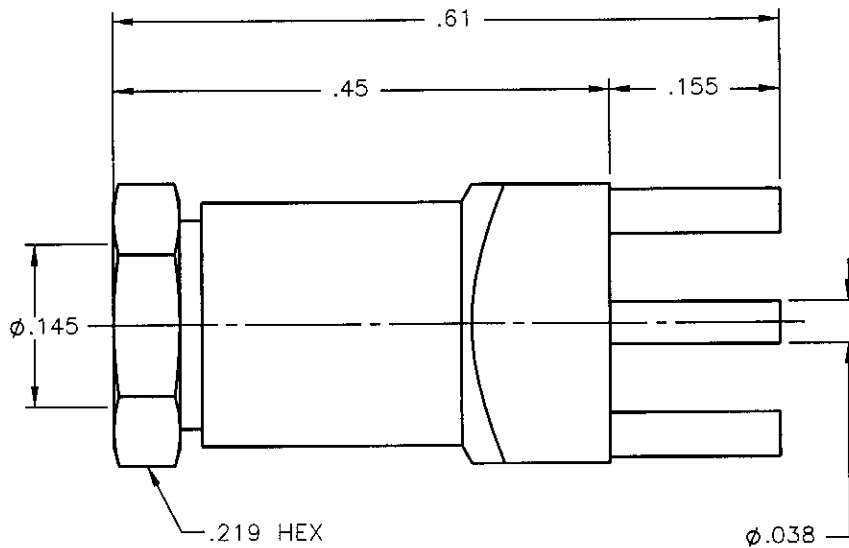


REVISIONS			
REV.	DESCRIPTION	DATE	APPROVED
A	INITIAL RELEASE	11/26/08	M.J.



NOTES:

MATERIALS:

1. INSULATOR = VIRGIN WHITE TEFLON PER ASTM D1710, GRADE 1, TYPE I, CLASS "B".
2. ALL OTHER METAL PARTS = BRASS PER ASTM B16, ALLOY C36000, TEMPER H02.

FINISHES:

1. CONTACT = GOLD PLATE PER MIL-G-45204, TYPE II, CLASS 1, GRADE C, OVER .00010 TO .00020 STRESS FREE SULFAMATE NICKEL PER QQ-N-290.
2. ALL OTHER METAL PARTS = GOLD PLATE PER MIL-G-45204, TYPE II, CLASS 0, GRADE C, OVER .00010 TO .00020 COPPER STRIKE PER MIL-C-14550.

Property of Radiall Incorporated  
 This document cannot be reproduced or  
 communicated to a third party without prior  
 written permission of RADIALL Incorporated.

UNLESS OTHERWISE SPECIFIED DIMENSIONS ARE IN INCHES TOLERANCES ON	DWN:	DATE	
	M.J.	11/26/08	
	CHKD:	DATE	
DECIMAL	ANGLE	D.N.	11/26/08
		APVD:	DATE
		J.M.	11/26/08
REFERENCE:	MATERIALS & FINISHES:		
ORIGINATED: M.J. DATE: 11/26/08	SEE NOTES		

**APPLIED ENGINEERING PRODUCTS**  
 104 John W. Murphy Dr.  
 New Haven, CT 06513

**RADIALL company**

**STRAIGHT CABLE TERMINATION  
 P.C.B. MOUNT SOLDER/CLAMP TYPE  
 FOR .141 SEMI-RIGID & SIMILAR CABLES**

SIZE	FSCM NO.	DWG NO.	REV
A	19505	8046-1541-009	A
SCALE 6:1		THIRD ANGLE PROJECTION	SHEET 1 OF 1

8046-1541-009