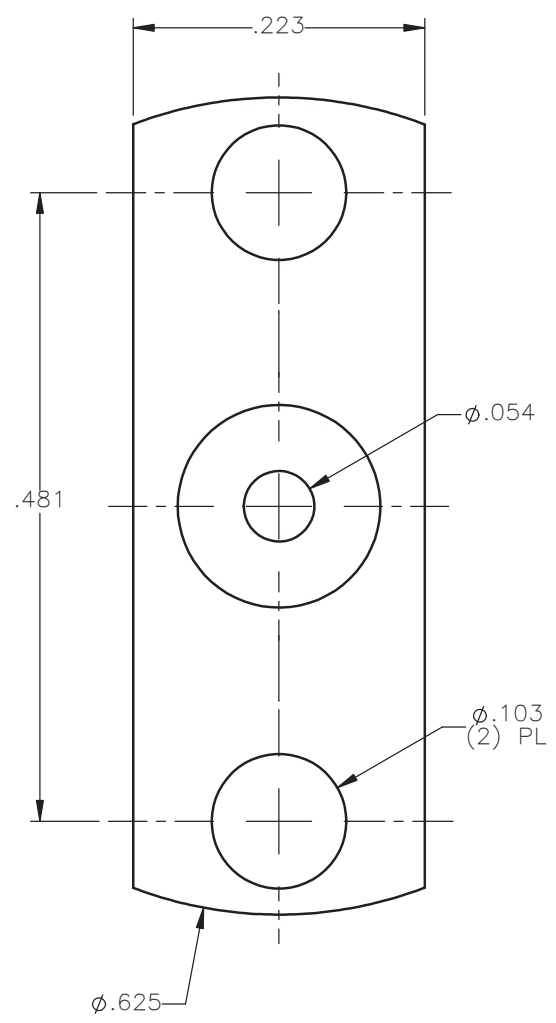




REVISIONS			
REV.	DESCRIPTION	DATE	APPROVED
A	INITIAL RELEASE	01/25/13	D.N.



- NOTES:
- MATERIAL:
- BODY = STAINLESS STEEL PER ASTM A582, ALLOY 303, CONDITION "A".
- FINISH:
- BODY = PASSIVATE PER QQ-P-35, TYPE VI.

UNLESS OTHERWISE SPECIFIED DIMENSIONS ARE IN INCHES TOLERANCES ON		DWN: D.N.	DATE: 01/25/13	 <b>Property of Radiall</b> This document cannot be reproduced or communicated to a third party without prior written permission of RADIALL.	
DECIMAL	ANGLE	CHKD: J.S.	DATE: 01/25/13		
		APVD: J.M.	DATE: 01/25/13		
REFERENCE:		MATERIAL & FINISH: SEE NOTES		SMP STRAIGHT MALE SHROUD SMOOTH BORE (2) HOLE FLANGE MOUNT	
ORIGINATED: D.N. DATE: 01/25/13		SIZE: A	FSCM NO.: 19505	DWG NO.: 7515-9013-000	REV: A
		SCALE: 7:1	THIRD ANGLE PROJECTION		SHEET 1 OF 1

7515-9013-000