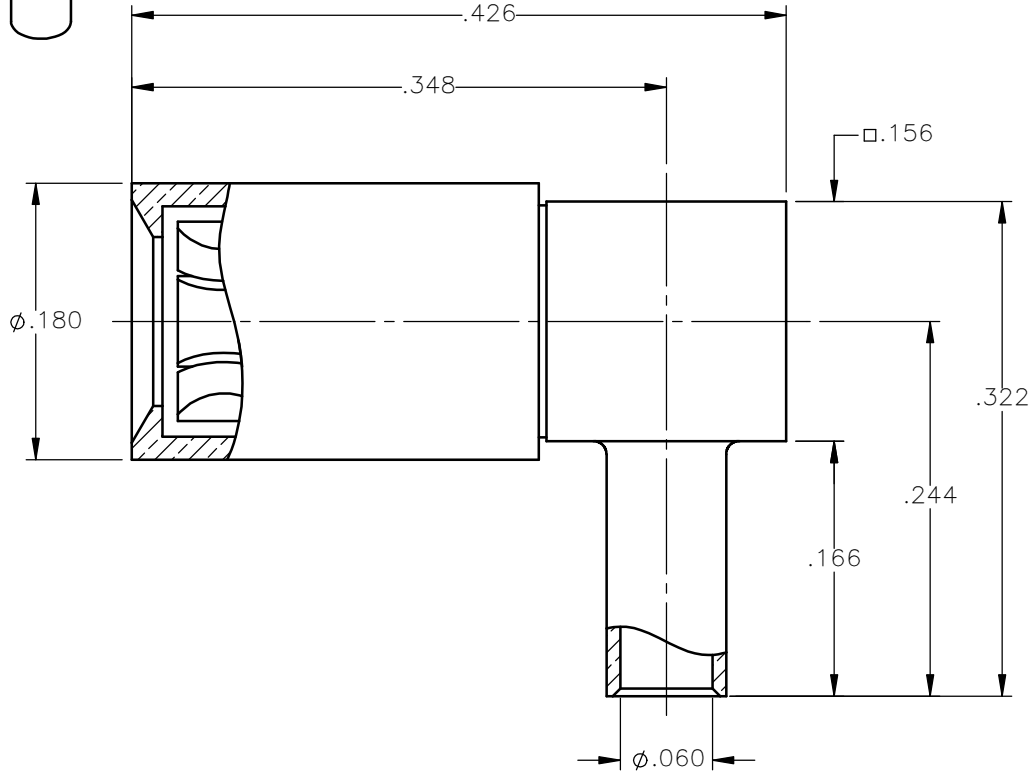
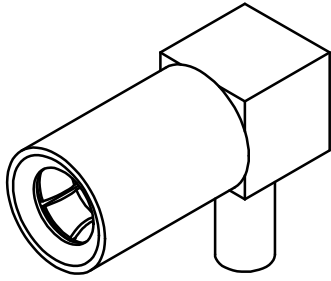


REVISIONS			
REV.	DESCRIPTION	DATE	APPROVED
A	INITIAL RELEASE	07/05/18	D.N.






NOTES:

MATERIALS:

1. INTERFACE BODY & CONTACT = BERYLLIUM COPPER PER ASTM B196, ALLOY C17300, TEMPER TD04.
2. INSULATORS = VIRGIN WHITE TEFLON PER ASTM D1710, GRADE 1, TYPE I, CLASS "B".
3. ALL OTHER METAL PARTS = BRASS PER ASTM B16, ALLOY C36000, TEMPER H02.

FINISHES:

1. CONTACT = GOLD PLATE PER ASTM B488-11, TYPE II, 50µin MIN, GRADE C, OVER 100 TO 200µin STRESS FREE SULFAMATE NICKEL PER AMS-QQ-N-290.
2. ALL OTHER METAL PARTS = GOLD PLATE PER ASTM B488-11, TYPE II, 30µin MIN, GRADE C OVER 100 TO 200µin COPPER STRIKE PER AMS 2418.

UNLESS OTHERWISE SPECIFIED DIMENSIONS ARE IN INCHES TOLERANCES ON	DWN:	DATE		Property of Radiall			
	D.N.	07/05/18		This document cannot be reproduced or communicated to a third party without prior written permission of RADIALL.			
DECIMAL	ANGLE	CHKD:	DATE	SSMB RIGHT ANGLE PLUG DIRECT SOLDER FOR .056 S/R AND SIMILAR CABLES			
		C.E.	07/05/18				
		APVD:	DATE	SIZE	FSCM NO.	DWG NO.	REV
		J.M.	07/05/18	A	19505	7405-1561-021	A
REFERENCE:	MATERIALS & FINISHES:		SCALE	THIRD ANGLE PROJECTION		SHEET 1 OF 1	
ORIGINATED: D.N. DATE: 07/05/18	SEE NOTES		8:1				

7405-1561-021