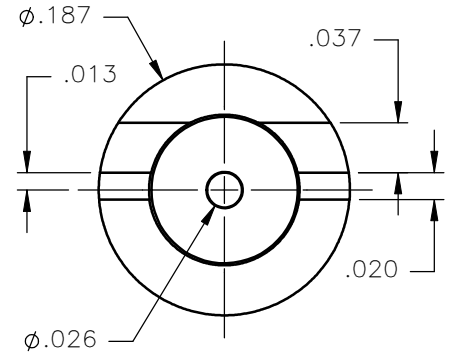
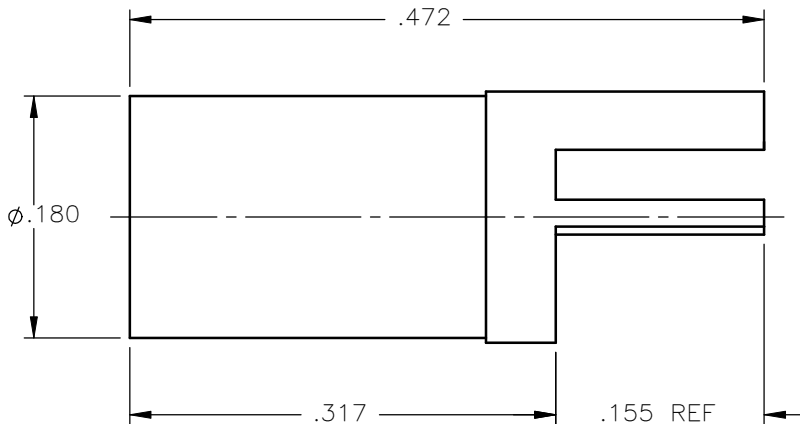
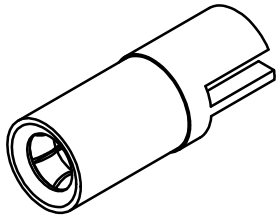


REVISIONS			
REV.	DESCRIPTION	DATE	APPROVED
A	INITIAL RELEASE	11/02/09	A.D.M.



NOTES:


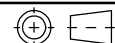
MATERIALS:

1. BODY & CONTACT = BERYLLIUM COPPER PER ASTM B196, ALLOY C17300, TEMPER TD04.
2. INSULATOR = VIRGIN WHITE TEFLON PER ASTM D1710, GRADE 1, TYPE I, CLASS "B".
3. SLEEVE = BRASS PER ASTM B16, ALLOY C36000, TEMPER H02.

FINISHES:

1. BODY & SLEEVE = GOLD PLATE PER MIL-G-45204, TYPE II, CLASS 0, GRADE C, OVER .00010 TO .00020 COPPER STRIKE PER MIL-C-14550.
2. CONTACT = GOLD PLATE PER MIL-G-45204, TYPE II, CLASS 1, GRADE C, OVER .00010 TO .00020 STRESS FREE SULFAMATE NICKEL PER QQ-N-290.

Property of Radiall Incorporated
 This document cannot be reproduced or
 communicated to a third party without prior
 written permission of RADIALL Incorporated.

UNLESS OTHERWISE SPECIFIED DIMENSIONS ARE IN INCHES TOLERANCES ON	DWN:	DATE	 APPLIED ENGINEERING PRODUCTS 104 John W. Murphy Dr. New Haven, CT 06513 a RADIALL company				
	A.D.M.	11/02/09					
DECIMAL	ANGLE	CHKD:	DATE	SSMB STRAIGHT FEMALE PLUG EDGE MOUNT FOR .031 BOARD			
		D.N.	11/02/09				
		APVD:	DATE				
		J.M.	11/02/09	SIZE	FSCM NO.	DWG NO.	REV
REFERENCE:	MATERIALS & FINISHES:		A	19505	7225-1512-060	A	
ORIGINATED: A.D.M. DATE: 11/02/09	SEE NOTES		SCALE	7:1	THIRD ANGLE PROJECTION	 SHEET 1 OF 1	

7225-1512-060