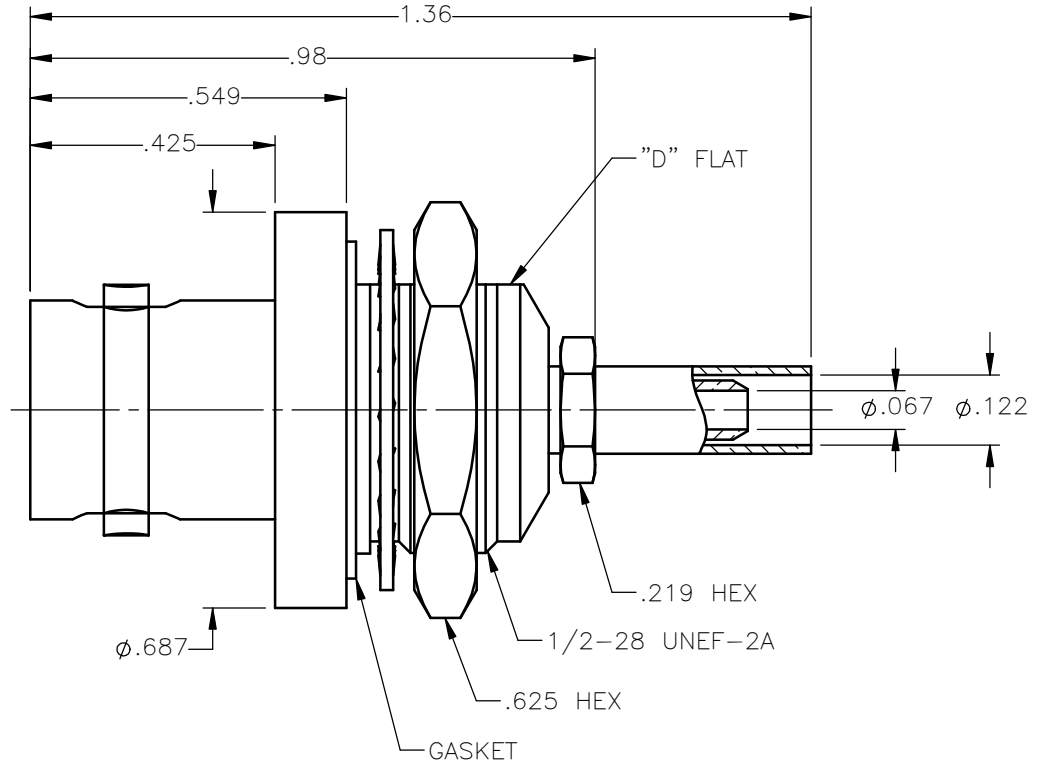


REVISIONS			
REV.	DESCRIPTION	DATE	APPROVED
A	INITIAL RELEASE	09/11/14	D.N.





NOTES:

MATERIALS:

- CONTACT = BERYLLIUM COPPER PER ASTM B196, ALLOY C17300, TEMPER TD04.
- INSULATORS = VIRGIN WHITE TEFLON PER ASTM D1710, GRADE 1, TYPE I, CLASS "B".
- CRIMP SLEEVE = SEAMLESS LOWLEAD BRASS TUBE, ALLOY 330, SOFT ANNEAL TEMPER, .025/.060 GRAIN SIZE OR SEAMLESS COPPER TUBE PER ASTM B75, TYPE C12000, TEMPER: LIGHT ANNEAL O50 EXCEPT YIELD STRENGTH.
- GASKET = SILICONE RUBBER 45-55 DUROMETER, DOW CORNING SILASTIC 250.
- ALL OTHER METAL PARTS = BRASS PER ASTM B16, ALLOY C36000, TEMPER H02.

FINISHES:

- CONTACT & WIRE ADAPTER = GOLD PLATE PER ASTM B488-01, TYPE II, 50μin MIN, GRADE C, OVER 100 TO 200μin STRESS FREE SULFAMATE NICKEL PER QQ-N-290.
- ALL OTHER METAL PARTS = NICKEL PLATE PER QQ-N-290, 50μin MIN, GRADE G, EXCEPT 100 TO 200μin THICK OVER 50 TO 100μin THICK COPPER PER MIL-C-14550.

UNLESS OTHERWISE SPECIFIED DIMENSIONS ARE IN INCHES TOLERANCES ON	DWN:	DATE	 Property of Radiall This document cannot be reproduced or communicated to a third party without prior written permission of RADIALL.			
	D.N.	09/11/14				
DECIMAL	ANGLE	CHKD:	DATE	BNC STRAIGHT BULKHEAD JACK FRONT MOUNT, CRIMP TYPE FOR RG-174 & SIMILAR CABLES		
		J.S.	09/11/14			
		APVD:	DATE			
		J.M.	09/11/14			
REFERENCE:	MATERIALS & FINISHES:		SIZE	FSCM NO.	DWG NO.	REV
ORIGINATED: D.N. DATE: 09/11/14	SEE NOTES		A	19505	6502-7071-003	A
			SCALE 3:1	THIRD ANGLE PROJECTION		SHEET 1 OF 1

6502-7071-003