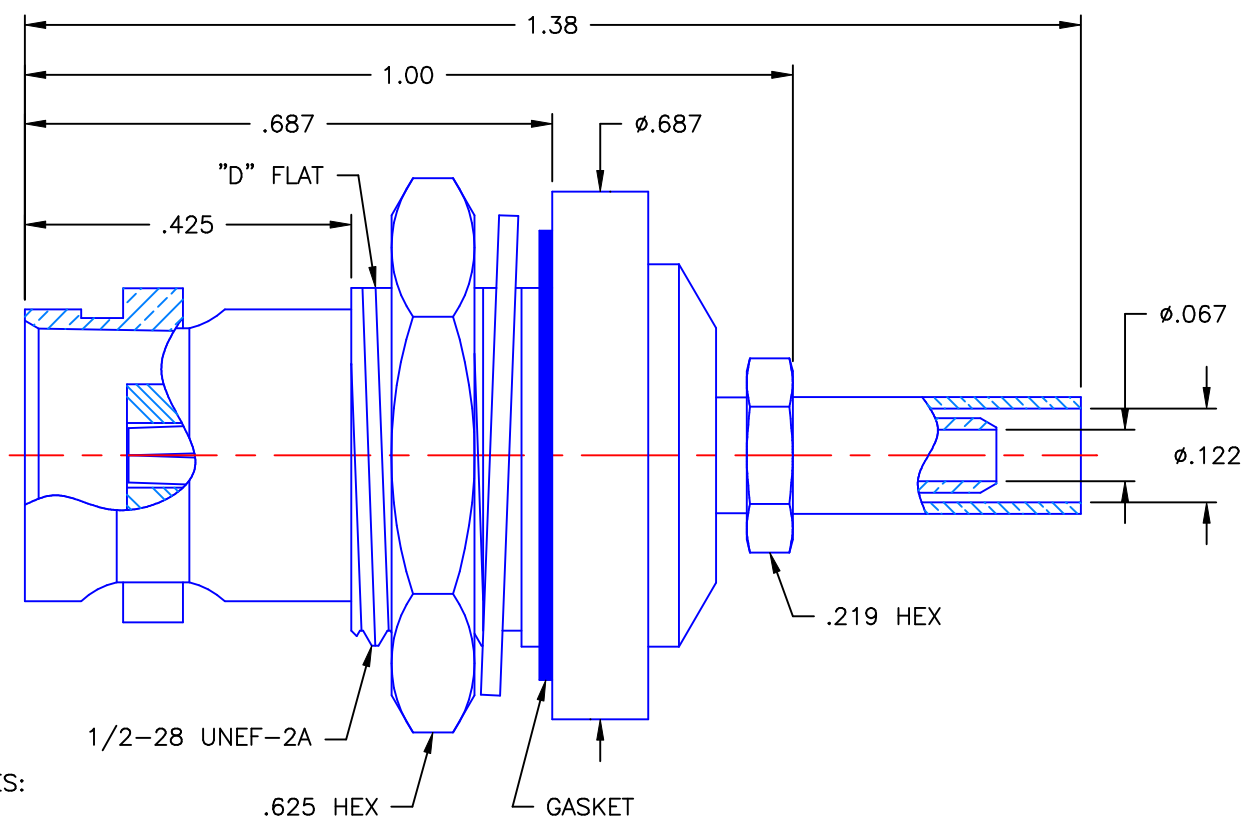


REVISIONS			
REV	DESCRIPTION	DATE	APPROVED
A	INITIAL RELEASE	09/15/10	A.D.M.



NOTES:

MATERIALS:

1. INSULATORS = VIRGIN WHITE TEFLON PER ASTM D1710, GRADE 1, TYPE I, CLASS "B".
2. CONTACT = BERYLLIUM COPPER PER ASTM B196, ALLOY C17300, TEMPER TD04.
3. GASKET = SILICONE RUBBER 45-55 DUROMETER, DOW CORNING SILASTIC 250.
4. LOCKWASHER = PHOSPHOR BRONZE PER ASTM B139, COPPER ALLOY C53400, TEMPER H04.
5. CRIMP SLEEVE = SEAMLESS LOWLEAD BRASS TUBE, ALLOY 330, SOFT ANNEAL TEMPER, .025/.060 GRAIN SIZE OR SEAMLESS COPPER TUBE PER ASTM B75, TYPE C12000, TEMPER: LIGHT ANNEAL O50 EXCEPT YIELD STRENGTH.
6. ALL OTHER METAL PARTS = BRASS PER ASTM B16, ALLOY C36000, TEMPER H02.

FINISHES:

1. CONTACT & WIRE ADAPTER = GOLD PLATE PER MIL-G-45204, TYPE II, CLASS 1, GRADE C, OVER .00010 TO .00020 STRESS FREE SULFAMATE NICKEL PER QQ-N-290.
2. ALL OTHER METAL PARTS = GOLD PLATE PER MIL-G-45204, TYPE II, CLASS 0, GRADE C, OVER .00010 TO .00020 COPPER STRIKE PER MIL-C-14550.

UNLESS OTHERWISE SPECIFIED DIMENSIONS ARE IN INCHES TOLERANCES ON	DWN:	DATE	
	A.D.M.	09/15/10	
	CHKD:	DATE	
DECIMAL	ANGLE	D.N.	09/15/10
		APVD:	DATE
		J.M.	09/15/10



Property of Radiall
This document cannot be reproduced or
communicated to a third party without prior
written permission of RADIALL.

BNC STRAIGHT JACK
BULKHEAD REAR MOUNT CRIMP TYPE
FOR RG-316 & SIMILAR CABLES

REFERENCE:	MATERIALS & FINISHES:
ORIGINATOR: A.D.M. DATE: 09/15/10	SEE NOTES

SIZE A	FSCM NO. 19505	DWG NO. 6501-1071-003	REV A
SCALE 4:1	THIRD ANGLE PROJECTION		SHEET 1 OF 1

6501-1071-003