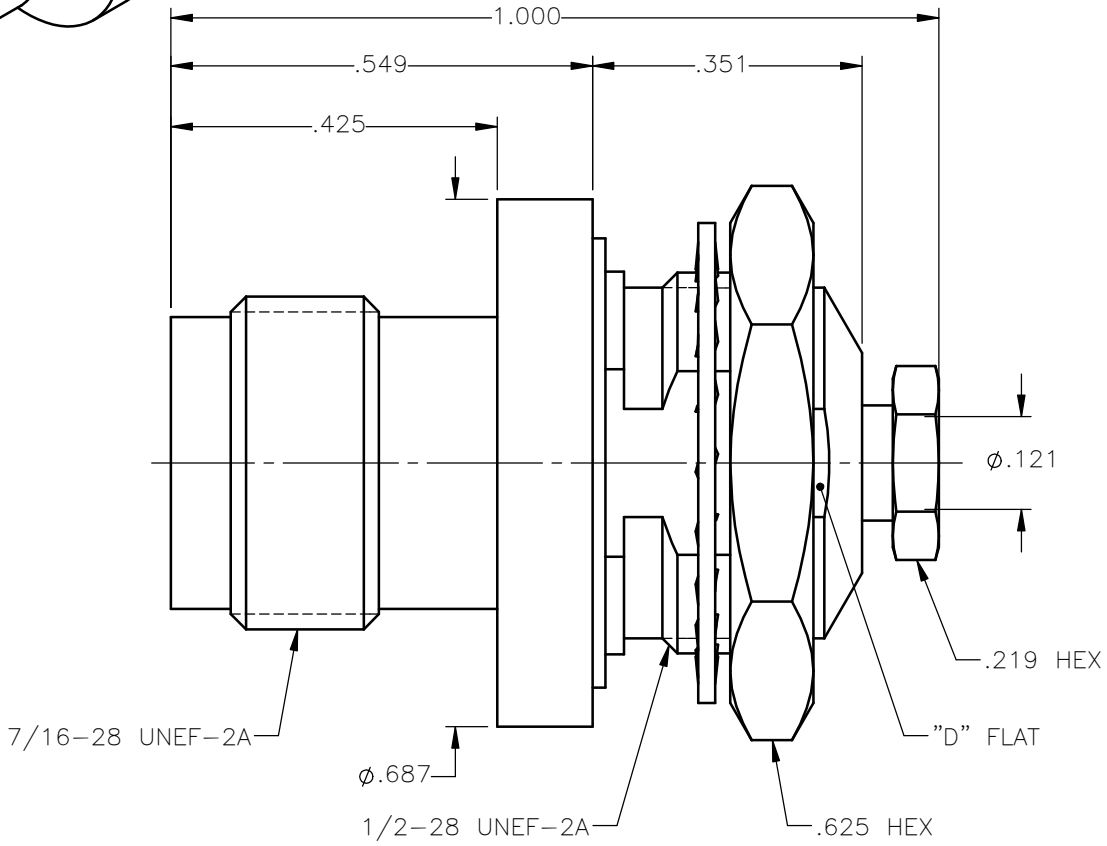


REVISIONS			
REV.	DESCRIPTION	DATE	APPROVED
A	INITIAL RELEASE	04/15/14	D.N.






NOTES:

MATERIALS:

1. CONTACT = BERYLLIUM COPPER PER ASTM B196, ALLOY C17300, TEMPER TD04.
2. INSULATORS = VIRGIN WHITE TEFLON PER ASTM D1710, GRADE 1, TYPE I, CLASS "B".
3. LOCKWASHER = PHOSPHOR BRONZE PER ASTM B139, COPPER ALLOY C53400, TEMPER H04.
4. GASKET = SILICONE RUBBER 45-55 DUROMETER DOW CORNING SILASTIC 250.
5. ALL OTHER METAL PARTS = BRASS PER ASTM B16, ALLOY C36000, TEMPER H02.

FINISHES:

1. SOLDER FITTING = GOLD PLATE PER ASTM B488-01, TYPE II, 30µin MIN, GRADE C, OVER 100 TO 200µin COPPER STRIKE PER MIL-C-14550.
2. CONTACT & WIRE ADAPTER = GOLD PLATE PER ASTM B488-01, TYPE II, 50µin MIN, GRADE C, OVER 100 TO 200µin STRESS FREE SULFAMATE NICKEL PER QQ-N-290.
3. ALL OTHER METAL PARTS = NICKEL PLATE PER QQ-N-290, 50µin MIN, GRADE G, EXCEPT 100 TO 200µin THICK OVER 50 TO 100µin THICK COPPER PER MIL-C-14550.

UNLESS OTHERWISE SPECIFIED DIMENSIONS ARE IN INCHES TOLERANCES ON	DWN:	DATE	 Property of Radiall This document cannot be reproduced or communicated to a third party without prior written permission of RADIALL.		
	D.N.	04/15/14			
DECIMAL	ANGLE	CHKD:	DATE	TNC STRAIGHT JACK BULKHEAD FRONT MOUNT CLAMP SOLDER TYPE FOR .085 S/R AND SIMILAR CABLES	
		J.S.	04/15/14		
		APVD:	DATE		
		J.M.	04/15/14		
REFERENCE:	MATERIALS & FINISHES:	SIZE	FSCM NO.	DWG NO.	REV
ORIGINATED: D.N. DATE: 04/15/14	SEE NOTES	A	19505	6002-7041-010	A
		SCALE 4:1	THIRD ANGLE PROJECTION		SHEET 1 OF 1

6002-7041-010