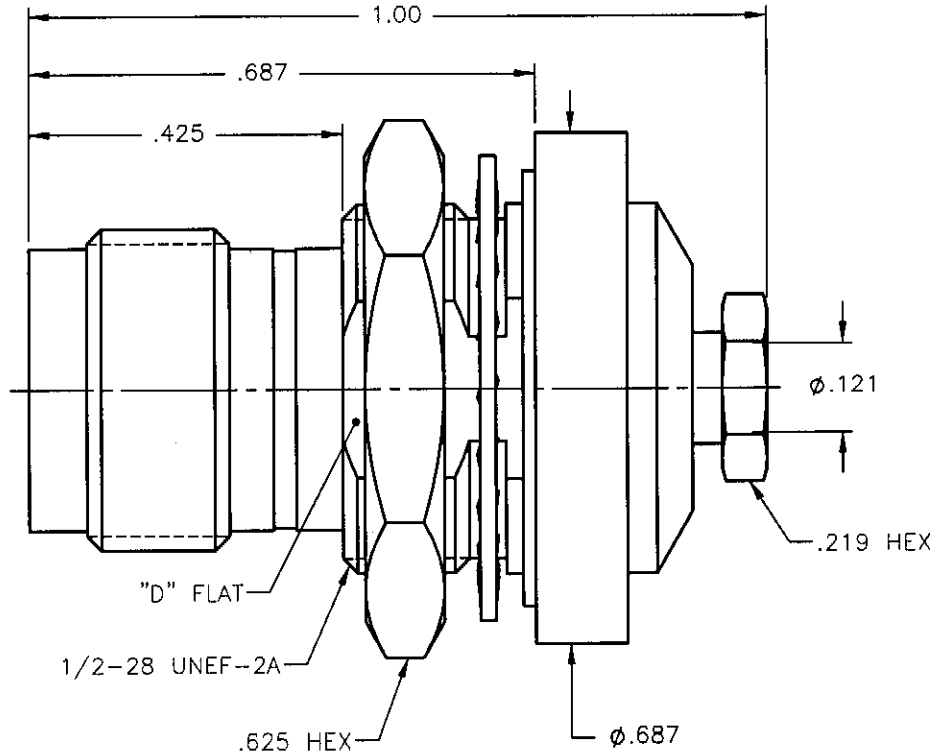


REVISIONS			
REV.	DESCRIPTION	DATE	APPROVED
A	ECO #7628	06/18/09	A.D.M.



NOTES:

MATERIALS:

- INSULATOR = VIRGIN WHITE TEFLON PER ASTM D1710, GRADE 1, TYPE I, CLASS "B".
- CONTACT & WIRE ADAPTOR = BERYLLIUM COPPER PER ASTM B196, ALLOY C17300, TEMPER TD04.
- GASKET = SILICONE RUBBER PER 45-55 DUROMETER DOW CORNING SILASTIC 250.
- LOCKWASHER = PHOSPHOR BRONZE PER ASTM B139, COPPER ALLOY C53400, TEMPER H04.
- ALL OTHER METAL PARTS = BRASS PER ASTM B16, ALLOY C36000, TEMPER H02.

FINISHES:

- CONTACT & WIRE ADAPTOR = GOLD PLATE PER MIL-G-45204, TYPE II, CLASS 1, GRADE C, OVER .00010 TO .00020 STRESS FREE SULFAMATE NICKEL PER QQ-N-290.
- ALL OTHER METAL PARTS = GOLD PLATE PER MIL-G-45204, TYPE II, CLASS 0, GRADE C, OVER .00010 TO .00020 COPPER STRIKE PER MIL-C-14550.

Property of Radiall Incorporated
 This document cannot be reproduced or
 communicated to a third party without prior
 written permission of RADIALL Incorporated.

UNLESS OTHERWISE SPECIFIED DIMENSIONS ARE IN INCHES TOLERANCES ON	DWN: A.D.M.	DATE 06/18/09	APPLIED ENGINEERING PRODUCTS 104 John W. Murphy Dr. New Haven, CT 06513		
	CHKD: D.N.	DATE 06/18/09			
DECIMAL	ANGLE	APVD: J.M.	DATE 06/18/09	TNC STRAIGHT JACK BULKHEAD REAR MOUNT SOLDER-CLAMP TYPE FOR S/R .085 & SIMILAR CABLES	
REFERENCE:	MATERIALS & FINISHES: SEE NOTES	SIZE A	FSCM NO. 19505		
ORIGINATED: D.N. DATE: 06/18/00	SCALE 4:1		THIRD ANGLE PROJECTION		SHEET 1 OF 1

6001-1041-010