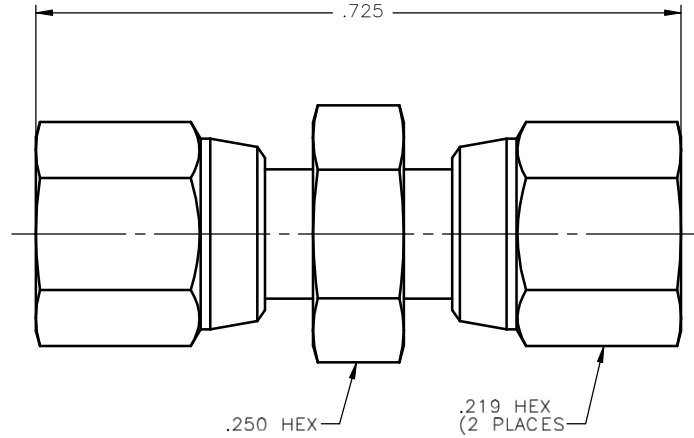


REVISIONS			
REV.	DESCRIPTION	DATE	APPROVED
A	INITIAL RELEASE	03/18/11	D.N.




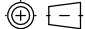
NOTES:

MATERIALS:

1. BODY & COUPLING NUT = BRASS PER ASTM B16, ALLOY C36000, TEMPER H02.
2. CONTACT = BERYLLIUM COPPER PER ASTM B196, ALLOY C17300, TEMPER TD04.
3. INSULATOR = VIRGIN WHITE TEFLON PER ASTM D1710, GRADE 1, TYPE I, CLASS "B".

FINISHES:

1. CONTACT = GOLD PLATE PER MIL-G-45204, TYPE II, CLASS 1, GRADE C, OVER .00010 TO .00020 STRESS FREE SULFAMATE NICKEL PER QQ-N-290.
2. BODY & COUPLING NUT = NICKEL PLATE PER QQ-N-290, CLASS 1, GRADE G, EXCEPT .0001 TO .0002 THICK OVER .00005 TO .0001 THICK COPPER PER MIL-C-14550.

UNLESS OTHERWISE SPECIFIED DIMENSIONS ARE IN INCHES TOLERANCES ON	DWN:	DATE		Property of Radiall			
	D.N.	03/18/11		This document cannot be reproduced or communicated to a third party without prior written permission of RADIALL.			
DECIMAL	ANGLE	CHKD:	DATE	SMC STRAIGHT FEMALE PLUG TO PLUG ADAPTER			
		M.J	03/18/11				
		APVD:	DATE	SIZE	FSCM NO.	DWG NO.	REV
		J.M.	03/18/11	A	19505	5816-7501-000	A
REFERENCE:	MATERIALS & FINISHES:		SCALE	THIRD ANGLE PROJECTION		SHEET 1 OF 1	
ORIGINATED: D.N. DATE: 03/18/11	SEE NOTES		6:1				

5816-7501-000