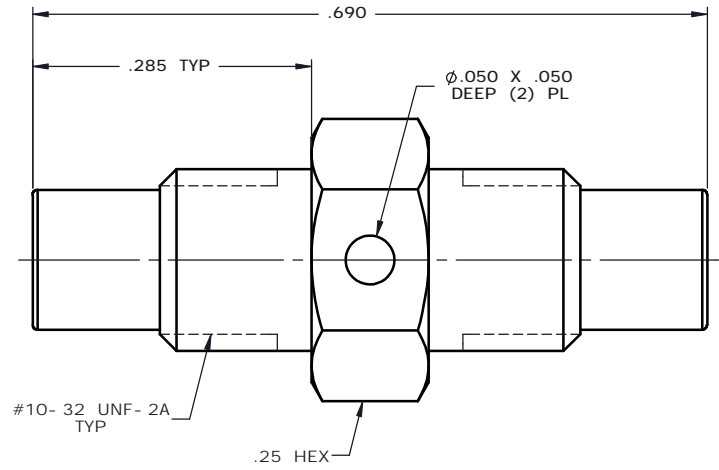


REVISIONS			
REV.	DESCRIPTION	DATE	APPROVED
A	INITIAL RELEASE	11/22/10	D.N.




NOTES:

MATERIALS:

1. BODY & CONTACT = BRASS PER ASTM B16, ALLOY C36000, TEMPER H02.
2. INSULATOR = VIRGIN WHITE TEFLON PER ASTM D1710, GRADE 1, TYPE I, CLASS "B".

FINISHES:

1. CONTACT = GOLD PLATE PER MIL-G-45204, TYPE II, CLASS 1, GRADE C, OVER .00010 TO .00020 STRESS FREE SULFAMATE NICKEL PER QQ-N-290.
2. BODY = GOLD PLATE PER MIL-G-45204, TYPE II, CLASS 0, GRADE C, OVER .00010 TO .00020 COPPER STRIKE PER MIL-C-14550.

UNLESS OTHERWISE SPECIFIED DIMENSIONS ARE IN INCHES TOLERANCES ON		DWN: D.N. 11/22/10	 Property of Radiall This document cannot be reproduced or communicated to a third party without prior written permission of RADIALL.			
DECIMAL	ANGLE	CHKD: A.D.M. 11/22/10	SMC STRAIGHT MALE JACK TO JACK ADAPTER			
		APVD: J.M. 11/22/10				
REFERENCE:		MATERIALS & FINISHES: SEE NOTES	SIZE A	FSCM NO. 19505	DWG NO. 5813-1501-000	REV A
ORIGINATED: D.N. DATE: 11/22/10			SCALE 7:1	THIRD ANGLE PROJECTION	SHEET 1 OF 1	

5813-1501-000