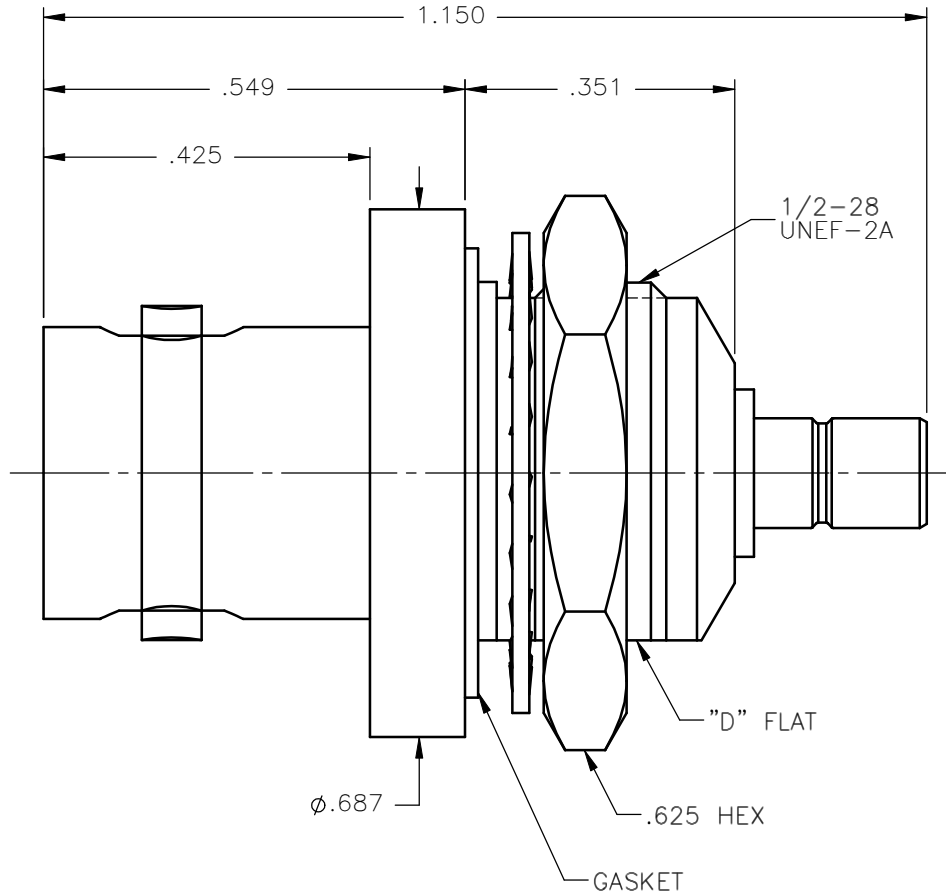


REVISIONS			
REV.	DESCRIPTION	DATE	APPROVED
A	ECO #7698	08/25/09	A.D.M.



NOTES:

MATERIALS:

1. INSULATORS = VIRGIN WHITE TEFLON PER ASTM D1710, GRADE 1, TYPE I, CLASS "B".
2. BNC CONTACT = BERYLLIUM COPPER PER ASTM B196, ALLOY C17300, TEMPER TD04.
3. GASKET = SILICONE RUBBER 45-55 DUROMETER DOW CORNING SILASTIC 250.
4. LOCKWASHER = PHOSPHOR BRONZE PER ASTM B139, COPPER ALLOY C53400, TEMPER H04.
5. ALL OTHER METAL PARTS = BRASS PER ASTM B16, ALLOY C36000, TEMPER H02.

FINISHES:

1. CONTACTS = GOLD PLATE PER MIL-G-45204, TYPE II, CLASS 1, GRADE C, OVER .00010 TO .00020 STRESS FREE SULFAMATE NICKEL PER QQ-N-290.
2. ALL OTHER METAL PARTS = GOLD PLATE PER MIL-G-45204, TYPE II, CLASS 0, GRADE C, OVER .00010 TO .00020 COPPER STRIKE PER MIL-C-14550.

Property of Radiall Incorporated  
 This document cannot be reproduced or  
 communicated to a third party without prior  
 written permission of RADIALL Incorporated.

UNLESS OTHERWISE SPECIFIED DIMENSIONS ARE IN INCHES TOLERANCES ON	DWN:	DATE	
	A.D.M.	08/25/09	
	CHKD:	DATE	
DECIMAL	ANGLE	D.N.	08/25/09
		APVD:	DATE
		J.M.	08/25/09
REFERENCE:	MATERIALS & FINISHES:		
ORIGINATED: D.N. DATE: 08/25/00	SEE NOTES		



APPLIED ENGINEERING PRODUCTS  
 104 John W. Murphy Dr.  
 New Haven, CT 06513

BNC BULKHEAD FEMALE JACK  
 TO SMB MALE JACK ADAPTER

SIZE	FSCM NO.	DWG NO.	REV
A	19505	5512-1501-000	A
SCALE	THIRD ANGLE PROJECTION		SHEET 1 OF 1
4:1			

5512-1501-000