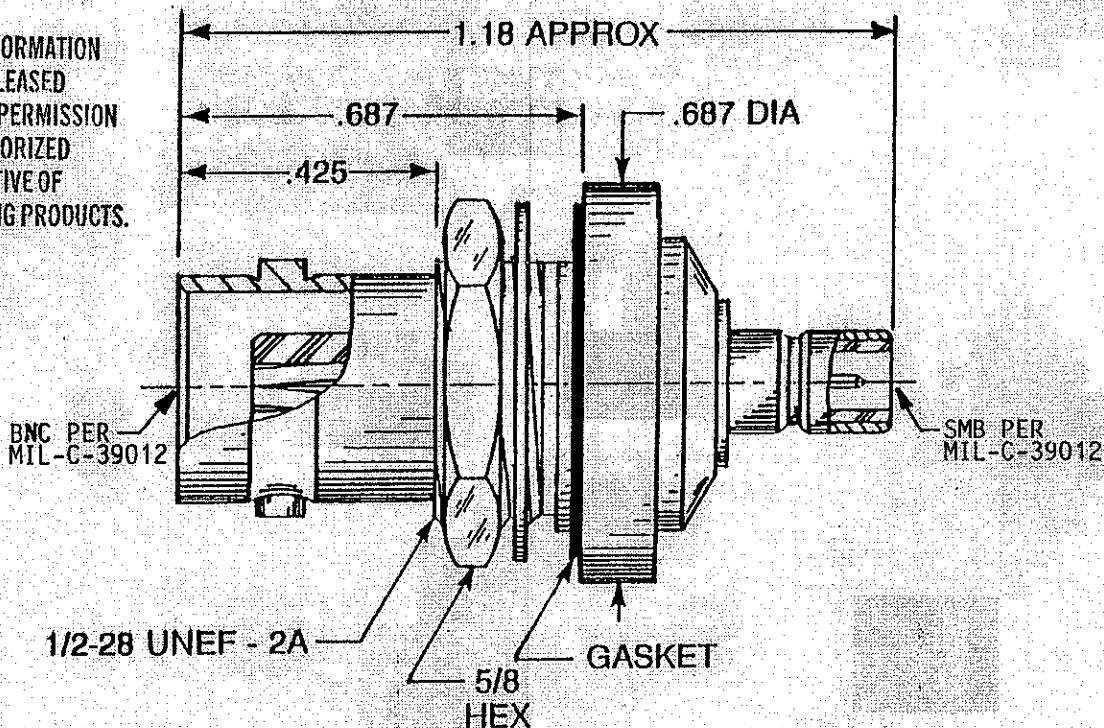


REVISIONS			
LTR	DESCRIPTION	DATE	APPROVED
A	ECO# 1527 UPDATED "D" FLAT LOCATION	9/29/94	VPS

PROPRIETARY INFORMATION
NOT TO BE RELEASED
WITHOUT WRITTEN PERMISSION
FROM AN AUTHORIZED
REPRESENTATIVE OF
APPLIED ENGINEERING PRODUCTS.



NOTES: CONFORMS TO MIL-C-39012

MATERIAL:

MATE CONTACT = BRASS 1/2 HARD, PER ASTM B16, ALLOY 360.
FEMALE CONTACT = BERYLLIUM COPPER, PER ASTM B196.
INSULATORS = TEFLON, VIRGIN WHITE, PER ASTM D1710.
GASKET = SILICONE RUBBER, PER ZZ-R-765, CLASS 2B, GRADE 65-75.
LOCKWASHER = PHOSPHOR BRONZE, PER ASTM B139.
ALL OTHER METAL PARTS = BRASS 1/2 HARD, PER ASTM B16, ALLOY 360.

FINISH:

CONTACTS = GOLD PLATE PER MIL-G-45204, TYPE II, CLASS 1, GRADE C, OVER STRESS FREE NICKEL, PER QQ-N-290.
ALL OTHER METAL PARTS = NICKEL PLATE PER QQ-N-290, CLASS 1, GRADE G, EXCEPT .0001 TO .0002 THICK OVER COPPER PER MIL-C-14550.

UNLESS OTHERWISE SPECIFIED DIMENSIONS ARE IN INCHES TOLERANCES ON FRAC. 1/64 DECIMAL ± .005 ANGLES ± 2°	DRAWN D.N.	DATE 3-4-94	APPLIED ENGINEERING PRODUCTS 104 John W. Murphy Drive, P.O. Box 510 New Haven, CT 06513	
	CHECKED AK	DATE 3/4/94		
MATERIAL: SEE NOTES	APPROVED <i>Emil</i>	DATE 3/4/94	ADAPTOR BNC FEMALE TO SMB MALE	
	FINISH: SEE NOTES		SIZE A	CODE IDENT NO. 19505
		SCALE NONE	REV A	SHEET 1 OF 1