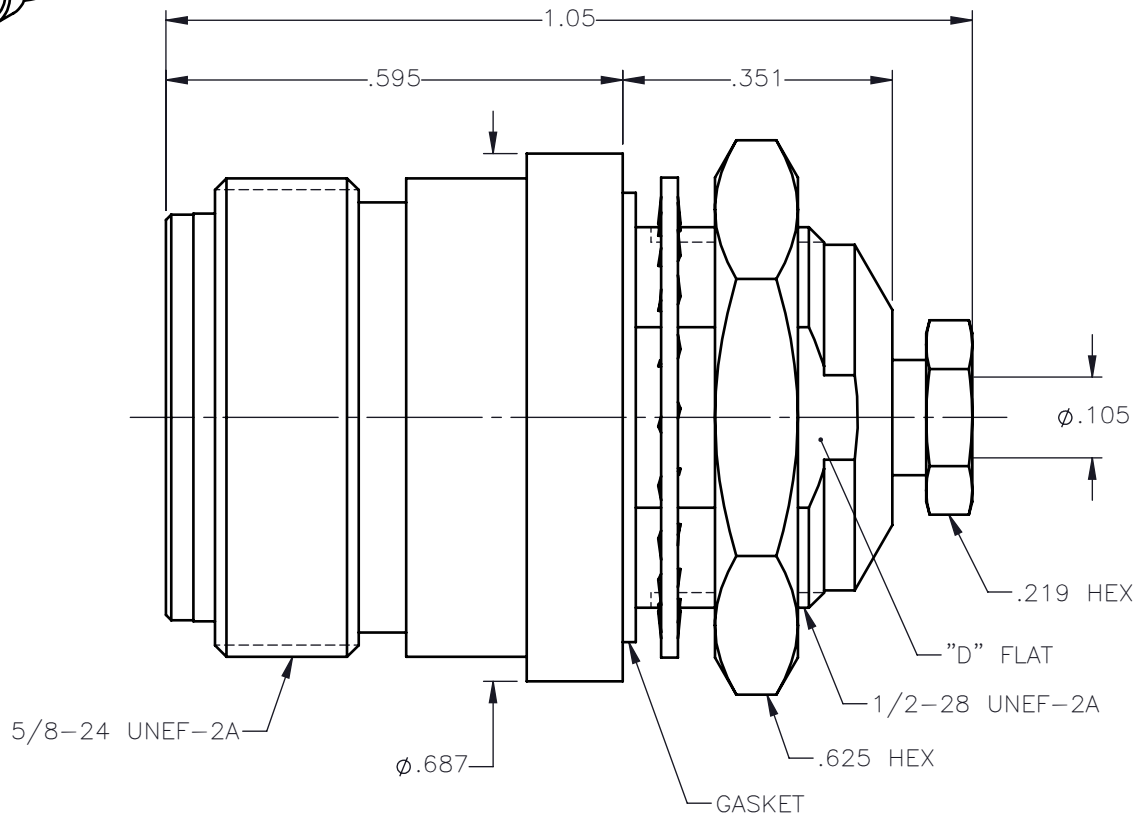




REVISIONS			
REV.	DESCRIPTION	DATE	APPROVED
A	INITIAL RELEASE	08/12/19	E.M.





NOTES:

MATERIALS:

1. INSULATORS = VIRGIN WHITE TEFLON PER ASTM D1710, GRADE 1, TYPE I, CLASS "B".
2. CONTACT = BERYLLIUM COPPER PER ASTM B196, ALLOY C17300, TEMPER TD04.
4. LOCKWASHER = PHOSPHOR BRONZE PER ASTM B139, COPPER ALLOY C53400, TEMPER H04.
5. GASKET = SILICONE RUBBER 45-55 DUROMETER DOW CORNING SILASTIC 250.
6. ALL OTHER METAL PARTS = BRASS PER ASTM B16, ALLOY C36000, TEMPER H02.

FINISHES:

1. CONTACT = GOLD PLATE PER ASTM B488 OR MIL-DTL-45204, TYPE II, 50 $\mu$ in MIN, GRADE C, OVER 100 TO 200 $\mu$ in SULFAMATE OR ELECTROLYTIC NICKEL PER AMS-QQ-N-290.
2. ALL OTHER METAL PARTS = NICKEL PLATE PER AMS-QQ-N-290, CLASS 1, GRADE G, EXCEPT 100 TO 200 $\mu$ in THICK OVER 50 TO 100 $\mu$ in THICK COPPER PER AMS 2418.

UNLESS OTHERWISE SPECIFIED DIMENSIONS ARE IN INCHES TOLERANCES ON	DWN: E.M.	DATE: 08/12/19	 Property of Radiall This document cannot be reproduced or communicated to a third party without prior written permission of RADIALL.	
	CHKD: J.S.	DATE: 08/12/19		
DECIMAL	ANGLE	APVD: J.M.	DATE: 08/12/19	TYPE "N" STRAIGHT JACK BULKHEAD FRONT MOUNT CLAMP TYPE FOR RG-178DS & SIMILAR CABLES
REFERENCE:	MATERIALS & FINISHES: SEE NOTES	SIZE: A	FSCM NO.: 19505	
ORIGINATED: E.M. DATE: 08/12/19		SCALE: 4:1	THIRD ANGLE PROJECTION	REV: A
				SHEET 1 OF 1

4502-7051-005