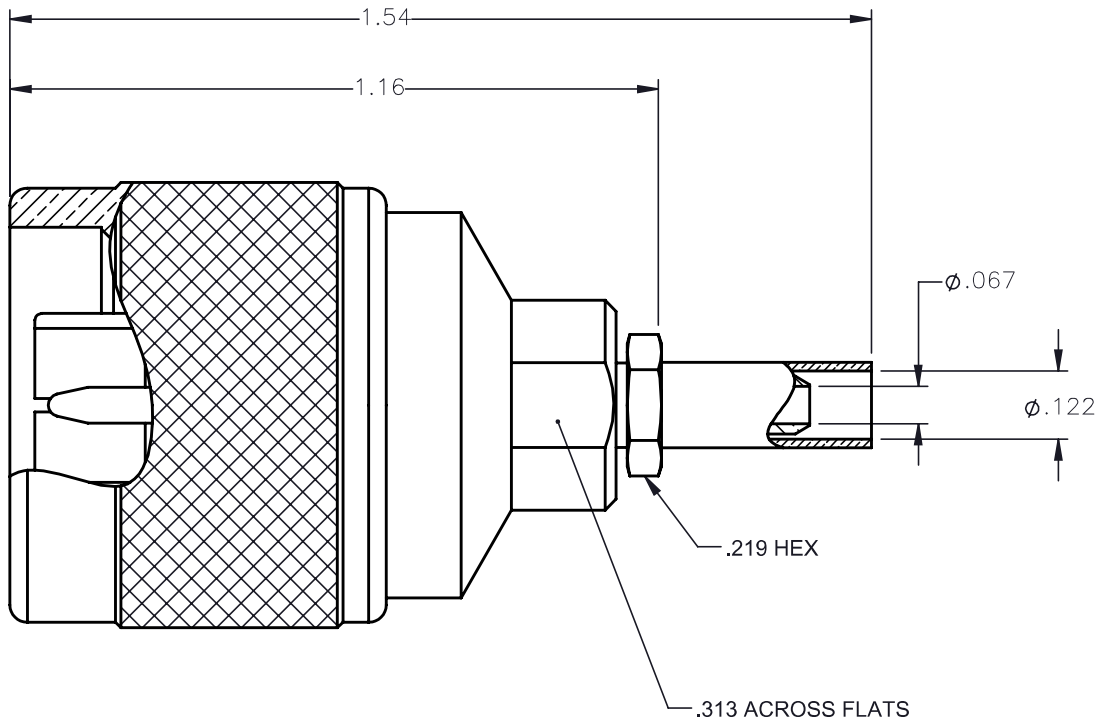


REVISIONS			
REV.	DESCRIPTION	DATE	APPROVED
A	REDRAWN	10/08/14	N.D.





NOTES:

MATERIALS:

1. INSULATORS = VIRGIN WHITE TEFLON PER ASTM D1710, GRADE 1, TYPE I, CLASS "B".
2. CRIMP SLEEVE = SEAMLESS LOWLEAD BRASS TUBE, ALLOY 330, SOFT ANNEAL TEMPER, .025/.060 GRAIN SIZE OR SEAMLESS COPPER TUBE PER ASTM B75, TYPE C12000, TEMPER: LIGHT ANNEAL O50 EXCEPT YIELD STRENGTH.
3. WASHER = PHOSPHOR BRONZE PER ASTM B139, COPPER ALLOY C53400, TEMPER H04.
4. GASKET = DOW CORNING SILASTIC 250, SILICONE RUBBER 45-55 DUROMETER.
5. ALL OTHER METAL PARTS = BRASS PER ASTM B16, ALLOY C36000, TEMPER H02.

FINISHES:

1. CONTACT = GOLD PLATE PER ASTM B488-01, TYPE II, 50 μ in MIN, GRADE C, OVER 100 TO 200 μ in STRESS FREE SULFAMATE NICKEL PER QQ-N-290.
2. ALL OTHER METAL PARTS = NICKEL PLATE PER QQ-N-290, 50 μ in MIN, GRADE G, EXCEPT 100 TO 200 μ in THICK OVER 50 TO 100 μ in THICK COPPER PER MIL-C-14550.

UNLESS OTHERWISE SPECIFIED DIMENSIONS ARE IN INCHES TOLERANCES ON		DWN: A.D.M	DATE 08/25/05	 Property of Radiall This document cannot be reproduced or communicated to a third party without prior written permission of RADIALL.	
		CHKD: D.N.	DATE 08/25/05		
DECIMAL	ANGLE	APVD: D.J.C.	DATE 08/25/05	TYPE "N" STRAIGHT PLUG CRIMP TYPE FOR RG-316 & SIMILAR CABLES	
REFERENCE:		MATERIALS & FINISHES: SEE NOTES			
ORIGINATED: A.D.M DATE: 08/25/05				DWG NO. 4000-7071-003	REV A
		SCALE 3:1		THIRD ANGLE PROJECTION	SHEET 1 OF 1

4000-7071-003