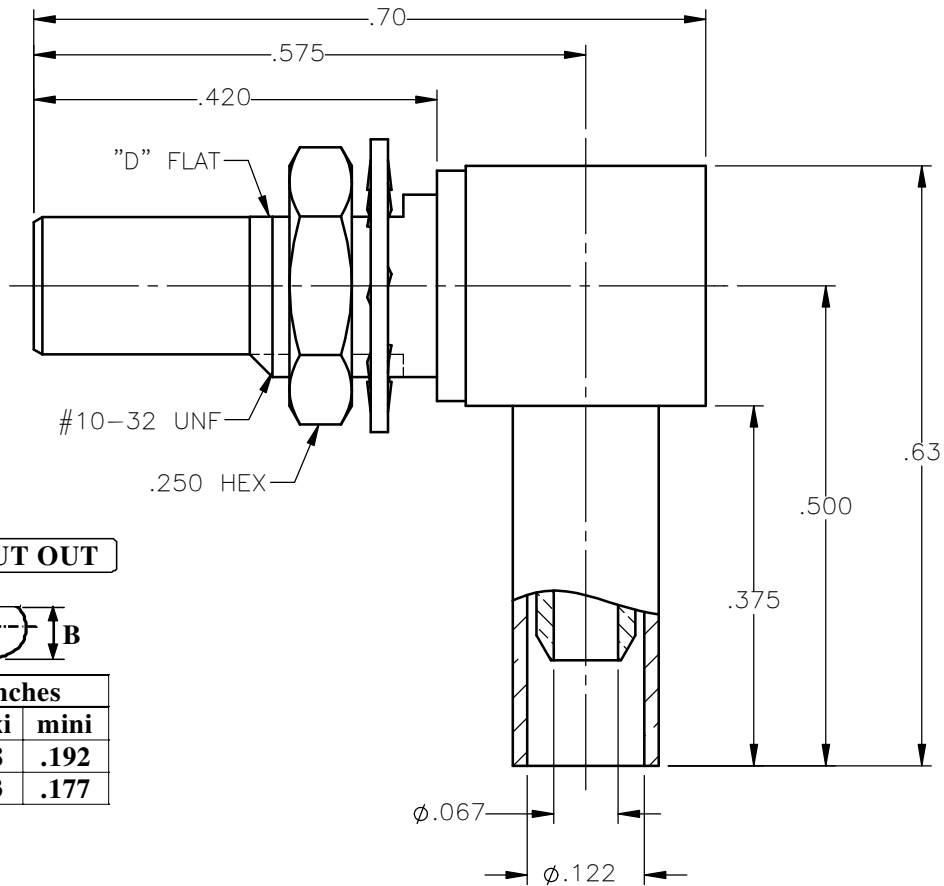
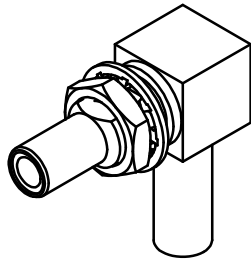


REVISIONS			
REV.	DESCRIPTION	DATE	APPROVED
A	INITIAL RELEASE	01/26/16	D.N.



PANEL CUT OUT

inches		
	Maxi	mini
A	.198	.192
B	.183	.177

NOTES:

MATERIALS:

1. INSULATORS = VIRGIN WHITE TEFLON PER ASTM D1710, GRADE 1, TYPE I, CLASS "B".
2. CRIMP SLEEVE = SEAMLESS LOWLEAD BRASS TUBE, ALLOY 330, SOFT ANNEAL TEMPER, .025/.060 GRAIN SIZE OR SEAMLESS COPPER TUBE PER ASTM B75, TYPE C12000, TEMPER: LIGHT ANNEAL O50 EXCEPT YIELD STRENGTH.
3. LOCKWASHER = PHOSPHOR BRONZE PER ASTM B139, COPPER ALLOY C53400, TEMPER H04.
4. ALL OTHER METAL PARTS = BRASS PER ASTM B16, ALLOY C36000, TEMPER H02.

FINISHES:

1. CONTACT = GOLD PLATE PER ASTM B488-11, TYPE II, 50 μ in MIN, GRADE C, OVER 100 TO 200 μ in STRESS FREE SULFAMATE NICKEL PER AMS-QQ-N-290.
2. ALL OTHER METAL PARTS = GOLD PLATE PER ASTM B488-11, TYPE II, 30 μ in MIN, GRADE C OVER 100 TO 200 μ in COPPER STRIKE PER AMS 2418.

UNLESS OTHERWISE SPECIFIED DIMENSIONS ARE IN INCHES TOLERANCES ON	DWN: DATE		Property of Radiall			
	D.N. 01/26/16		This document cannot be reproduced or communicated to a third party without prior written permission of RADIALL.			
DECIMAL	ANGLE	CHKD: DATE	SLB RIGHT ANGLE MALE JACK BULKHEAD MOUNT CRIMP TYPE FOR RG-316 & SIMILAR CABLES			
		N.D. 01/26/16				
		APVD: DATE	SIZE	FSCM NO.	DWG NO.	REV
		J.M. 01/26/16	A	19505	3106-1521-003	A
REFERENCE:	MATERIALS & FINISHES:	SEE NOTES	SCALE	5:1		THIRD ANGLE PROJECTION
ORIGINATED: D.N. DATE: 01/26/16						SHEET 1 OF 1

3106-1521-003