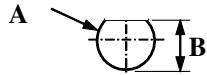
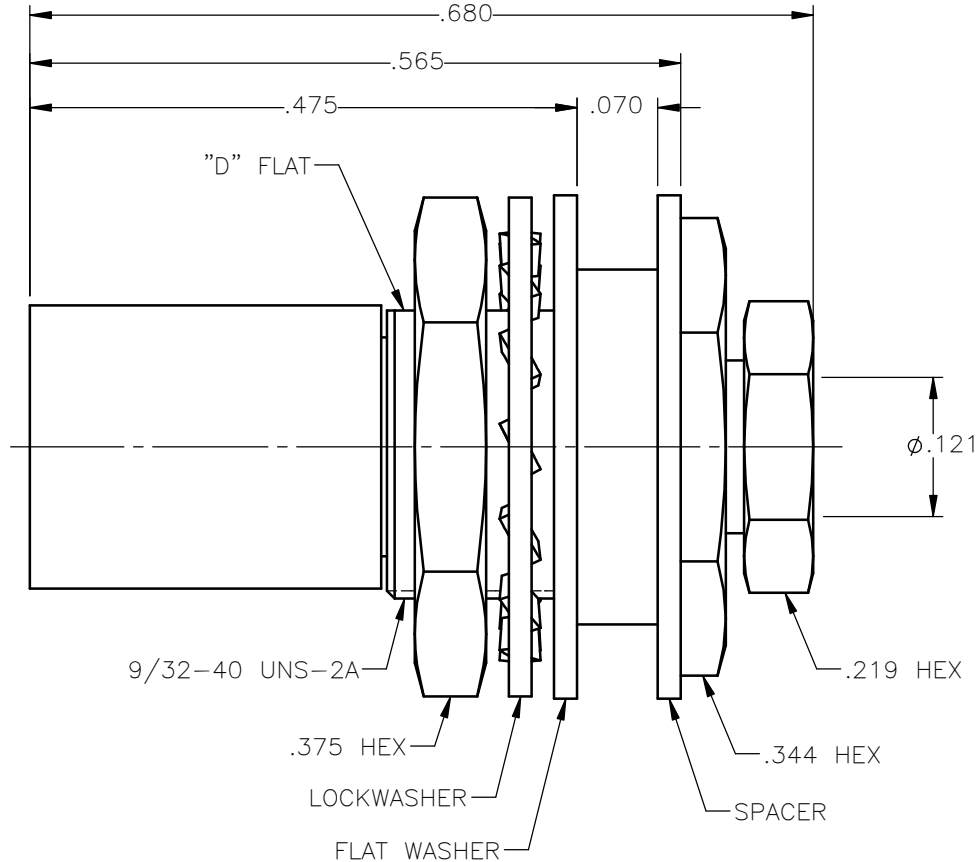


PANEL CUT OUT



inches		
	Maxi	mini
A	.290	.284
B	.262	.256

REVISIONS			
REV.	DESCRIPTION	DATE	APPROVED
A	INITIAL RELEASE	04/17/18	D.N.



NOTES:

MATERIALS:

1. INSULATORS = VIRGIN WHITE TEFLON PER ASTM D1710, GRADE 1, TYPE I, CLASS "B".
2. CONTACT & SPRING = BERYLLIUM COPPER PER ASTM B196, ALLOY C17300, TEMPER TD04.
3. LOCKWASHER = PHOSPHOR BRONZE PER ASTM B139, COPPER ALLOY C53400, TEMPER H04.
4. ALL OTHER METAL PARTS = BRASS PER ASTM B16, ALLOY C36000, TEMPER H02.

FINISHES:

1. CONTACT = GOLD PLATE PER ASTM B488-11, TYPE II, 50 μ in MIN, GRADE C, OVER 100 TO 200 μ in STRESS FREE SULFAMATE NICKEL PER AMS-QQ-N-290.
2. SOLDER FITTING = GOLD PLATE PER ASTM B488-11, TYPE II, 30 μ in MIN, GRADE C OVER 100 TO 200 μ in COPPER STRIKE PER AMS 2418.
3. ALL OTHER METAL PARTS = NICKEL PLATE PER AMS-QQ-N-290, CLASS 1, GRADE G, EXCEPT 100 TO 200 μ in THICK OVER 50 TO 100 μ in THICK COPPER PER AMS 2418.

UNLESS OTHERWISE SPECIFIED
DIMENSIONS ARE IN INCHES
TOLERANCES ON

DWN:	DATE
D.N.	04/17/18
CHKD:	DATE
C.E.	04/17/18
APVD:	DATE
J.M.	04/17/18



Property of Radiall
This document cannot be reproduced or
communicated to a third party without prior
written permission of RADIALL.



SLB STRAIGHT FEMALE PLUG
BULKHEAD FLOAT MOUNT CLAMP TYPE
FOR .085 S/R & SIMILAR CABLES

REFERENCE:	MATERIALS & FINISHES:
ORIGINATED: D.N. DATE: 04/17/18	SEE NOTES

SIZE A	FSCM NO. 19505	DWG NO. 3028-7541-610	REV A
SCALE 6:1		THIRD ANGLE PROJECTION	SHEET 1 OF 1

3028-7541-610