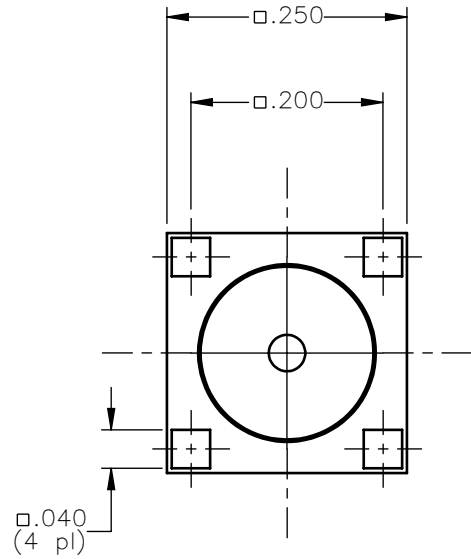
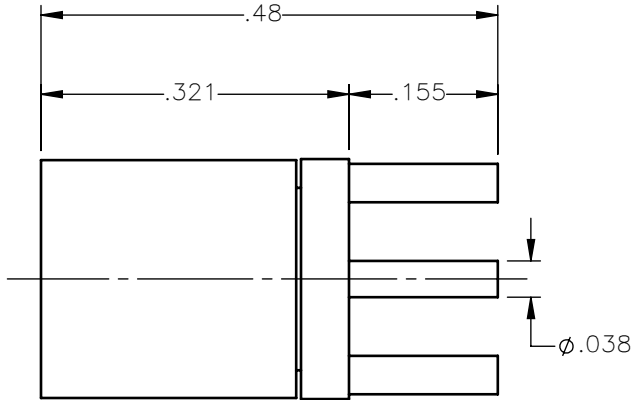


| REVISIONS | | | |
|-----------|-----------------|----------|----------|
| REV. | DESCRIPTION | DATE | APPROVED |
| A | INITIAL RELEASE | 04/16/18 | C.E. |





NOTES:

MATERIALS:

1. BODY = BRASS PER ASTM B16, ALLOY C36000, TEMPER H02.
2. INSULATORS = VIRGIN WHITE TEFLON PER ASTM D1710, GRADE 1, TYPE I, CLASS "B".
3. CONTACT & SPRING = BERYLLIUM COPPER PER ASTM B196, ALLOY C17300, TEMPER TD04.
4. SLEEVE = BRASS PER C36000, ANNEALING 1H AT 500°C, HARDNESS 80-120 HV.

FINISHES:

1. CONTACT = GOLD PLATE PER ASTM B488-11, TYPE II, 50µin MIN, GRADE C, OVER 100 TO 200µin STRESS FREE SULFAMATE NICKEL PER AMS-QQ-N-290.
2. ALL OTHER METAL PARTS = NICKEL PLATE PER AMS-QQ-N-290, CLASS 1, GRADE G, EXCEPT 100 TO 200µin THICK OVER 50 TO 100µin THICK COPPER PER AMS 2418.

| | | | | | | |
|---|-----------------------|------------------|--|---|--------------------------|--------------|
| UNLESS OTHERWISE SPECIFIED DIMENSIONS ARE IN INCHES TOLERANCES ON | DWN: C.E. | DATE 04/16/18 |  Property of Radiall This document cannot be reproduced or communicated to a third party without prior written permission of RADIALL. |  | | |
| | CHKD: D.N. | DATE 04/16/18 | | | | |
| DECIMAL | ANGLE | APVD: J.M. | SLB STRAIGHT FEMALE PLUG PCB MOUNT RECEPTACLE | | | |
| | | DATE 04/16/18 | | | | |
| REFERENCE: | MATERIALS & FINISHES: | | SIZE A | FSCM NO. 19505 | DWG NO. 3025-7511-000 | REV A |
| ORIGINATED: C.E. DATE: 04/16/18 | SEE NOTES | | SCALE 5:1 | THIRD ANGLE PROJECTION | | SHEET 1 OF 1 |

3025-7511-000