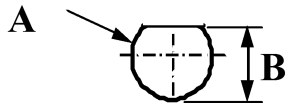
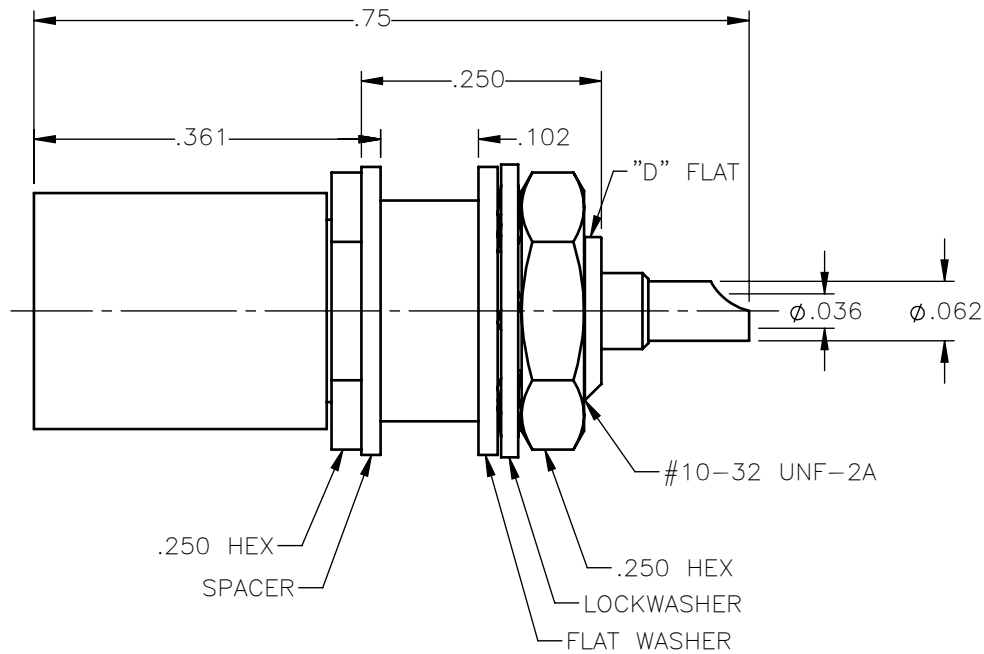


PANEL CUT OUT



inches		
	Maxi	mini
A	.198	.192
B	.183	.177

REVISIONS			
REV.	DESCRIPTION	DATE	APPROVED
A	INITIAL RELEASE	04/16/18	C.E.



NOTES:

MATERIALS:

1. INSULATOR = VIRGIN WHITE TEFLON PER ASTM D1710, GRADE 1, TYPE I, CLASS "B".
2. CONTACT & SPRING = BERYLLIUM COPPER PER ASTM B196, ALLOY C17300, TEMPER TD04.
3. LOCKWASHER = PHOSPHOR BRONZE PER ASTM B139, COPPER ALLOY C53400, TEMPER H04.
4. ALL OTHER METAL PARTS = BRASS PER ASTM B16, ALLOY C36000, TEMPER H02.

FINISHES:

1. CONTACT = GOLD PLATE PER ASTM B488-11, TYPE II, 50µin MIN, GRADE C, OVER 100 TO 200µin STRESS FREE SULFAMATE NICKEL PER AMS-QQ-N-290.
2. SPRING = NICKEL PLATE PER AMS-QQ-N-290, CLASS 1, GRADE G, EXCEPT 100 TO 200µin THICK OVER 50 TO 100µin THICK COPPER PER AMS 2418.
3. ALL OTHER METAL PARTS = GOLD PLATE PER ASTM B488-11, TYPE II, 30µin MIN, GRADE C OVER 100 TO 200µin COPPER STRIKE PER AMS 2418.

UNLESS OTHERWISE SPECIFIED DIMENSIONS ARE IN INCHES TOLERANCES ON

DWN:	DATE
C.E.	04/16/18
CHKD:	DATE
D.N.	04/16/18
APVD:	DATE
J.M.	04/16/18

Property of Radiall
 This document cannot be reproduced or communicated to a third party without prior written permission of RADIALL.

DECIMAL	ANGLE

SLB STRAIGHT FEMALE PLUG BULKHEAD/FRONT MOUNT SOLDER POT RECEPTACLE

REFERENCE:
 ORIGINATED: C.E.
 DATE: 04/16/18

MATERIALS & FINISHES:
 SEE NOTES

SIZE	FSCM NO.	DWG NO.	REV
A	19505	3017-1511-700	A
SCALE	THIRD ANGLE PROJECTION		SHEET 1 OF 1
5:1			

3017-1511-700