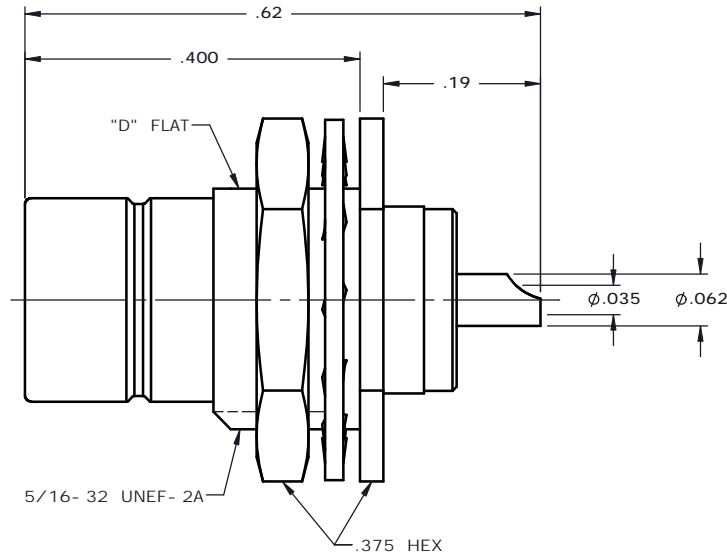


REVISIONS			
REV.	DESCRIPTION	DATE	APPROVED
A	INITIAL RELEASE	03/09/10	D.N.



NOTES:


MATERIALS:

1. INSULATOR = VIRGIN WHITE TEFLON PER ASTM D1710, GRADE 1, TYPE I, CLASS "B".
2. LOCKWASHER = PHOSPHOR BRONZE, SHAKEPROOF #1918-02.
3. ALL OTHER METAL PARTS = BRASS PER ASTM B16, ALLOY C36000, TEMPER H02.

FINISHES:

1. CONTACT = GOLD PLATE PER MIL-G-45204, TYPE II, CLASS 1, GRADE C, OVER .00010 TO .00020 STRESS FREE SULFAMATE NICKEL PER QQ-N-290.
2. ALL OTHER METAL PARTS = GOLD PLATE PER MIL-G-45204, TYPE II, CLASS 0, GRADE C, OVER .00010 TO .00020 COPPER STRIKE PER MIL-C-14550.

Property of Radiall Incorporated  
 This document cannot be reproduced or  
 communicated to a third party without prior  
 written permission of RADIALL Incorporated.

UNLESS OTHERWISE SPECIFIED DIMENSIONS ARE IN INCHES TOLERANCES ON		DWN: DATE D.N. 03/09/10	 <b>APPLIED ENGINEERING PRODUCTS</b> a RADIALL company 104 John W. Murphy Dr. New Haven, CT 06513			
DECIMAL	ANGLE	CHKD: DATE A.D.M. 03/09/10				
		APVD: DATE J.M. 03/09/10				
REFERENCE:			<b>75 OHM STRAIGHT MALE SNAP-ON          BULKHEAD REAR MOUNT          RECEPTACLE</b>			
ORIGINATED: D.N. DATE: 03/09/10		MATERIALS & FINISHES: SEE NOTES	SIZE <b>A</b>	FSCM NO. 19505	DWG NO. <b>2704-1511-000</b>	REV A
			SCALE 6:1	THIRD ANGLE PROJECTION	SHEET 1 OF 1	

2704-1511-000