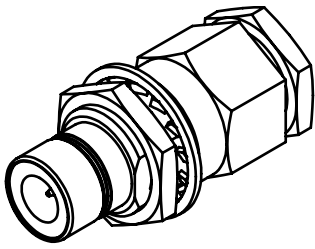
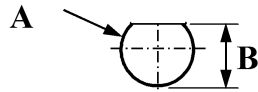


REVISIONS

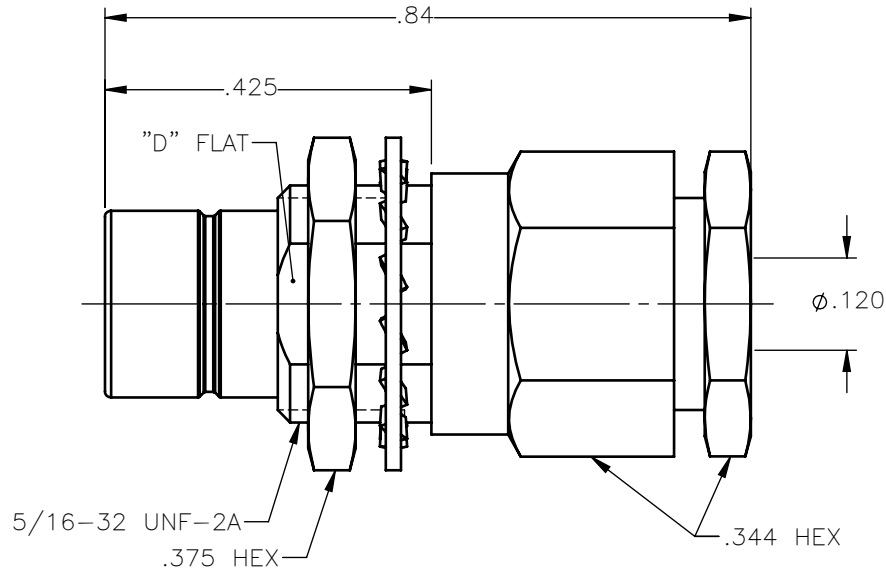
REV.	DESCRIPTION	DATE	APPROVED
A	INITIAL RELEASE	03/30/18	C.E.



PANEL CUT OUT



inches		
	Maxi	mini
A	.333	.327
B	.300	.294





NOTES:

MATERIALS:

1. INSULATORS = VIRGIN WHITE TEFLON PER ASTM D1710, GRADE 1, TYPE I, CLASS "B".
2. LOCKWASHER = PHOSPHOR BRONZE PER ASTM B139, COPPER ALLOY C53400, TEMPER H04.
3. ALL OTHER METAL PARTS = BRASS PER ASTM B16, ALLOY C36000, TEMPER H02.

FINISHES:

1. CONTACT = GOLD PLATE PER ASTM B488-11, TYPE II, 50µin MIN, GRADE C, OVER 100 TO 200µin STRESS FREE SULFAMATE NICKEL PER AMS-QQ-N-290.
2. ALL OTHER METAL PARTS = GOLD PLATE PER ASTM B488-11, TYPE II, 30µin MIN, GRADE C OVER 100 TO 200µin COPPER STRIKE PER AMS 2418.

UNLESS OTHERWISE SPECIFIED DIMENSIONS ARE IN INCHES TOLERANCES ON	DWN:	DATE		Property of Radiall			
	C.E.	03/30/18		This document cannot be reproduced or communicated to a third party without prior written permission of RADIALL.			
DECIMAL	ANGLE	CHKD:	DATE	75 OHM SNAP-ON STRAIGHT MALE JACK BULKHEAD MOUNT CLAMP TYPE FOR RG-316 & SIMILAR CABLES			
		D.N.	03/30/18				
		APVD:	DATE	SIZE	FSCM NO.	DWG NO.	REV
		J.M.	03/30/18	A	19505	2703-1551-003	A
REFERENCE:	MATERIALS & FINISHES:		SCALE	THIRD ANGLE PROJECTION		SHEET 1 OF 1	
ORIGINATED: C.E. DATE: 03/30/18	SEE NOTES		4:1				

2703-1551-003