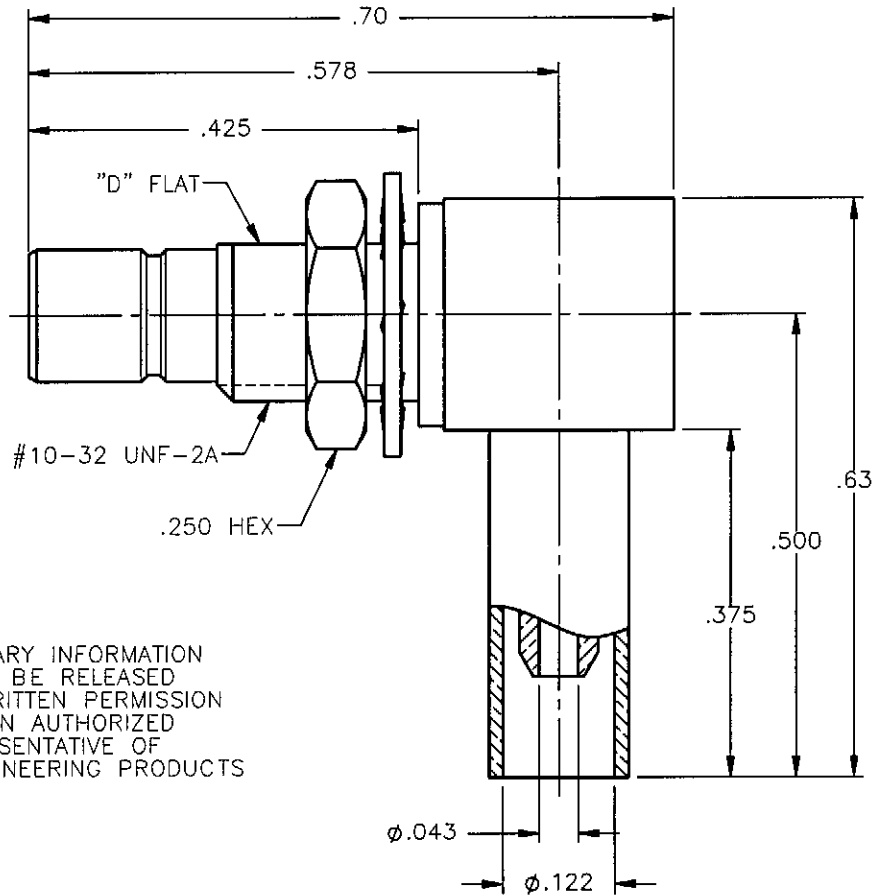


REVISIONS			
REV.	DESCRIPTION	DATE	APPROVED
A	INITIAL RELEASE	01/18/08	A.D.M.



PROPRIETARY INFORMATION  
NOT TO BE RELEASED  
WITHOUT WRITTEN PERMISSION  
FROM AN AUTHORIZED  
REPRESENTATIVE OF  
APPLIED ENGINEERING PRODUCTS


NOTES:

MATERIALS:

1. INSULATORS = VIRGIN WHITE TEFLON PER ASTM D1710, GRADE 1, TYPE I, CLASS "B".
2. CRIMP SLEEVE = SEAMLESS LOWLEAD BRASS TUBE, ALLOY 330, SOFT ANNEAL TEMPER, .025/.060 GRAIN SIZE OR SEAMLESS COPPER TUBE PER ASTM B75, TYPE C12000, TEMPER: LIGHT ANNEAL O50 EXCEPT YIELD STRENGTH.
3. LOCKWASHER = PHOSPHOR BRONZE PER ASTM B139, COPPER ALLOY C53400, TEMPER H04.
4. ALL OTHER METAL PARTS = BRASS PER ASTM B16, ALLOY C36000, TEMPER H02.

FINISHES:

1. CONTACT = GOLD PLATE PER MIL-G-45204, TYPE II, CLASS 1, GRADE C, OVER .00010 TO .00020 STRESS FREE SULFAMATE NICKEL PER QQ-N-290.
2. ALL OTHER METAL PARTS = GOLD PLATE PER MIL-G-45204, TYPE II, CLASS 0, GRADE C, OVER .00010 TO .00020 COPPER STRIKE PER MIL-C-14550.

UNLESS OTHERWISE SPECIFIED DIMENSIONS ARE IN INCHES TOLERANCES ON		DWN: A.D.M.	DATE 01/18/08	 <b>APPLIED ENGINEERING PRODUCTS</b> a RADIALL company 104 John W. Murphy Dr. New Haven, CT 06513
DECIMAL	ANGLE	CHKD: D.N.	DATE 01/18/08	
		APVD: J.M.	DATE 01/18/08	
REFERENCE:		MATERIALS & FINISHES: SEE NOTES		<b>SMB RIGHT ANGLE MALE JACK CRIMP TYPE FOR RG-178DS &amp; SIMILAR CABLES</b>
ORIGINATED: A.D.M. DATE: 01/18/08		SIZE A	FSCM NO. 19505	DWG NO. 2106-1521-005 REV A
		SCALE 5:1	THIRD ANGLE PROJECTION	SHEET 1 OF 1

2106-1521-005